

TECHNICAL PRODUCT INFORMATION

TATE DECK MOUNTED SINK MIXER

FEATURES & BENEFITS

- Suitable for mains pressure only (up to 1500kPa)
- 25mm quality European cartridge
- 360° swivel spout
- Can be used as basin, bath or sink mixer
- Supplied with a 100mm extension for optimal height increase
- Suitable for left or right-handed installation
- Available in chrome & PVD finishes
- Designed in NZ
- 10 year warranty* & lifetime extension warranty available
- *5 year limited warranty on product finish



NEW ZEALAND REGISTERED DESIGN NO. 426071



Brushed Gold
TDMSMBG



Matte Black
TDMSMB



Brushed Nickel
TDMSMBN



Brushed Gunmetal
TDMSMG



Matte Black
Gloss Black
TDMSMBB-GB



Matte Black
Brushed Nickel
TDMSMBB-BN



Matte Black
Brushed Gunmetal
TDMSMBB-GM



Matte Black
Brushed Gold
TDMSMBB-BG



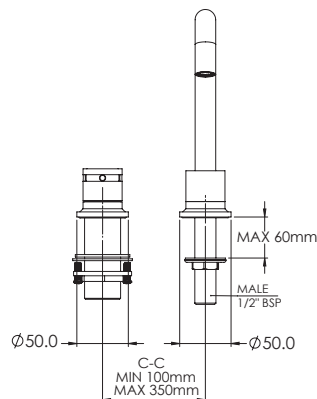
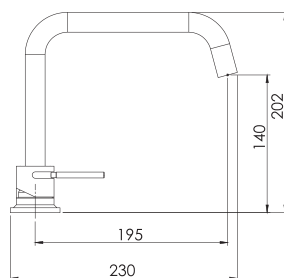
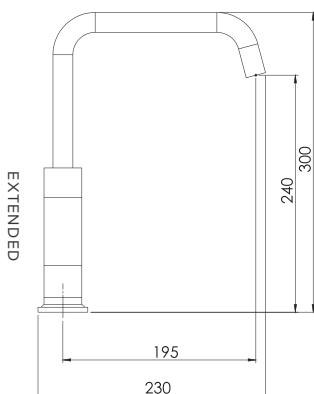
Brushed Nickel
Matte Black
TDMSMBN-MB



Brushed Nickel
Brushed Gold
TDMSMBN-BG



Brushed Nickel
Brushed Gunmetal
TDMSMBN-GM



WHEN INSTALLED
AS BASIN/SINK MIXER