

FELTON

TATE CUSTOMISATION FORM

Please send this completed form to:
 NZ sales@felton.co.nz
 AU sales@feltontapware.com.au



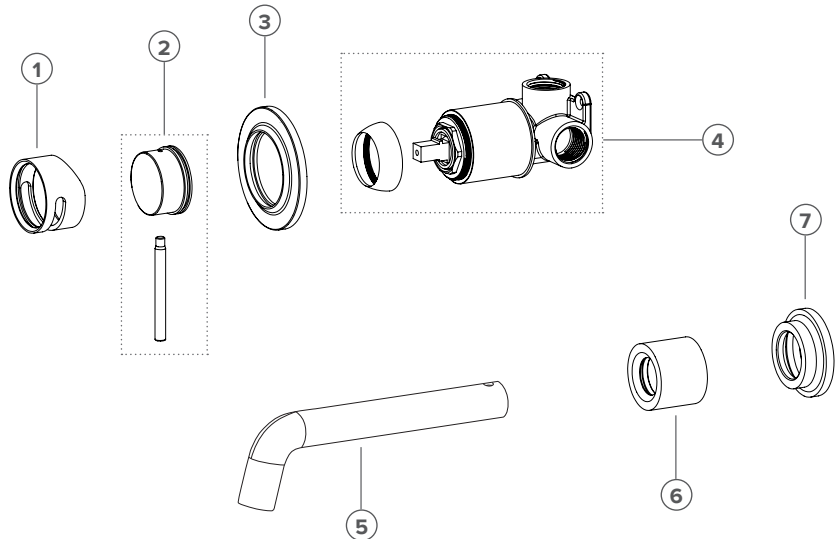
TATE

WALL MOUNTED BASIN / BATH MIXER (180MM)

NEW ZEALAND REGISTERED DESIGN NO. 426071, NO. 426072 & NO. 427630

FINISHES

- C CHROME
- BG BRUSHED GOLD
- MB BLACK
- BN BRUSHED STAINLESS FINISH
- GM BRUSHED GUNMETAL
- BBZ BRUSHED BRONZE



MERCHANT NAME / BRANCH

STAFF NAME

STAFF EMAIL ADDRESS

CUSTOMER NAME / JOB REFERENCE

CUSTOMER PHONE NUMBER

CUSTOMER EMAIL ADDRESS

NOTES

Note: Customised orders will not be able to be returned for credit

1. Tate Handle Sleeve

Finish: (please tick)



2. Tate Handle

Finish: (please tick)



3. Tate Shower Faceplate

Finish: (please tick)



4. Tate Shower Mixer Sleeve & Dome

Finish: (please tick)



5. Tate Spout

Finish: (please tick)



6. Tate Top Sleeve

Finish: (please tick)



7. Tate Base Holder

Finish: (please tick)

