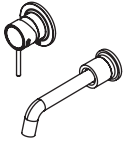


## TATE CUSTOMISATION FORM



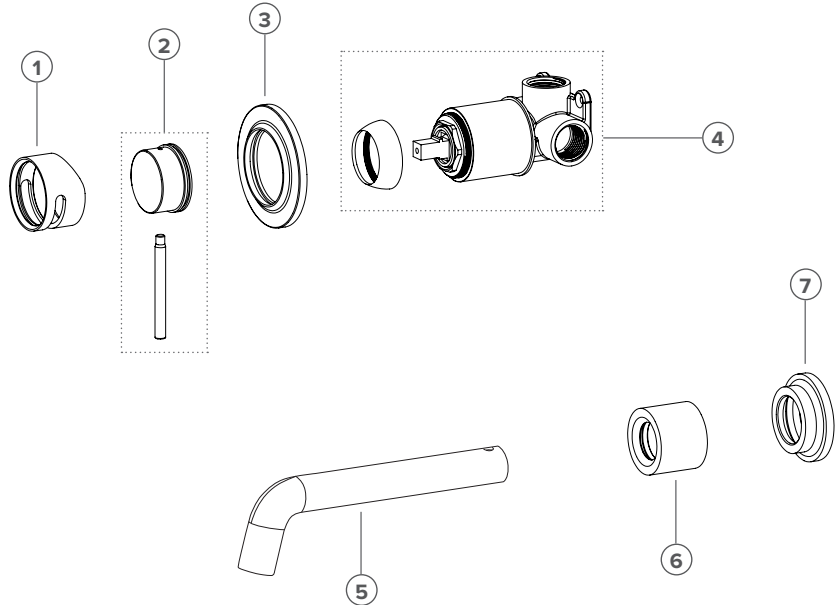
# TATE

## WALL MOUNTED BASIN / BATH MIXER (180MM)

NEW ZEALAND REGISTERED DESIGN NO. 426071, NO. 426072 & NO. 427630

### FINISHES

- C** CHROME
- BG** BRUSHED GOLD
- MB** BLACK
- BN** BRUSHED NICKEL
- GM** BRUSHED GUNMETAL
- BBZ** BRUSHED BRONZE
- GB** GLOSS BLACK



MERCHANT NAME / BRANCH

---

STAFF NAME

---

STAFF EMAIL ADDRESS

---

CUSTOMER NAME / JOB REFERENCE

---

CUSTOMER PHONE NUMBER

---

CUSTOMER EMAIL ADDRESS

---

NOTES

---



---

Note: Customised orders will not be able to be returned for credit

#### 1. Tate Handle Sleeve

Finish: (please tick)

- C
  BG
  MB
  BN
  GM
  BBZ
  GB

#### 2. Tate Handle

Finish: (please tick)

- C
  BG
  MB
  BN
  GM
  BBZ

#### 3. Tate Shower Faceplate

Finish: (please tick)

- C
  BG
  MB
  BN
  GM
  BBZ

#### 4. Tate Shower Mixer Sleeve & Dome

Finish: (please tick)

- C
  BG
  MB
  BN
  GM
  BBZ

#### 5. Tate Spout

Finish: (please tick)

- C
  BG
  MB
  BN
  GM
  BBZ

#### 6. Tate Top Sleeve

Finish: (please tick)

- C
  BG
  MB
  BN
  GM
  BBZ
  GB

#### 7. Tate Base Holder

Finish: (please tick)

- C
  BG
  MB
  BN
  GM
  BBZ