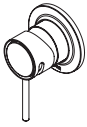


TATE CUSTOMISATION FORM

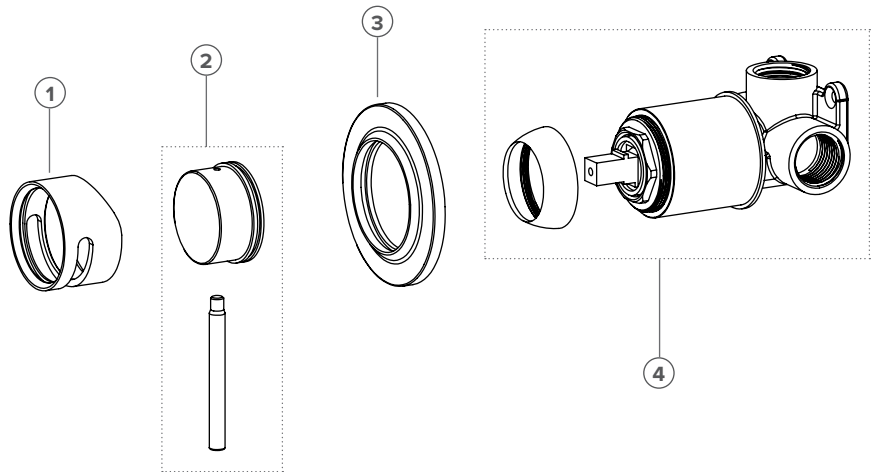


TATE SHOWER MIXER

NEW ZEALAND REGISTERED DESIGN NO. 426071, NO. 426072 & NO. 427630

FINISHES

- C** CHROME
- BG** BRUSHED GOLD
- MB** BLACK
- BN** BRUSHED NICKEL
- GM** BRUSHED GUNMETAL
- BBZ** BRUSHED BRONZE
- GB** GLOSS BLACK



MERCHANT NAME / BRANCH

STAFF NAME

STAFF EMAIL ADDRESS

CUSTOMER NAME / JOB REFERENCE

CUSTOMER PHONE NUMBER

CUSTOMER EMAIL ADDRESS

NOTES

Note: Customised orders will not be able to be returned for credit

1. Tate Handle Sleeve

Finish: (please tick)

- C**
 BG
 MB
 BN
 GM
 BBZ
 GB

2. Tate Handle

Finish: (please tick)

- C**
 BG
 MB
 BN
 GM
 BBZ

3. Tate Shower Faceplate

Finish: (please tick)

- C**
 BG
 MB
 BN
 GM
 BBZ

4. Tate Shower Mixer Sleeve & Dome Cover

Finish: (please tick)

- C**
 BG
 MB
 BN
 GM
 BBZ