

## TATE CUSTOMISATION FORM

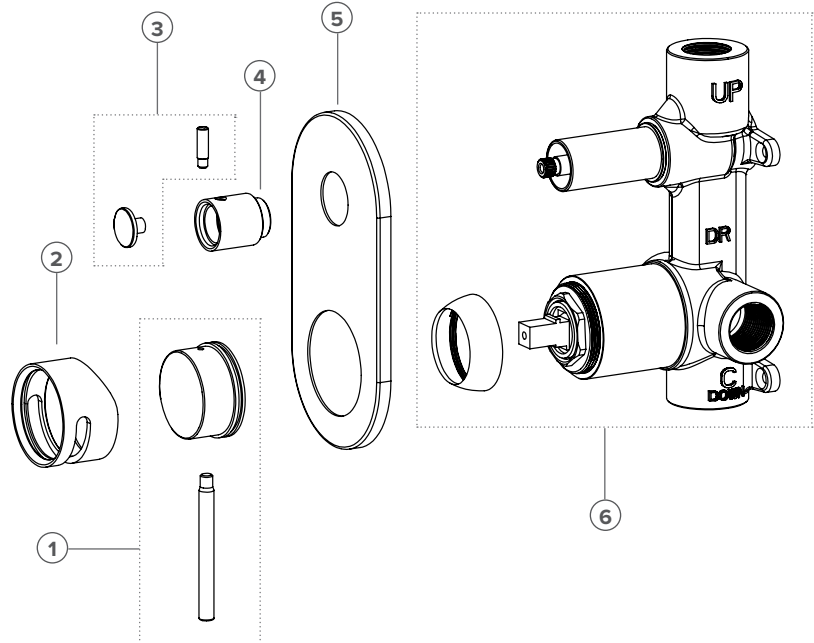


# TATE DIVERTER MIXER

NEW ZEALAND REGISTERED DESIGN NO. 426071, NO. 426072 & NO. 427630

### FINISHES

- C** CHROME
- BG** BRUSHED GOLD
- MB** BLACK
- BN** BRUSHED NICKEL
- GM** BRUSHED GUNMETAL
- BBZ** BRUSHED BRONZE
- GB** GLOSS BLACK



MERCHANT NAME / BRANCH

---

STAFF NAME

---

STAFF EMAIL ADDRESS

---

CUSTOMER NAME / JOB REFERENCE

---

CUSTOMER PHONE NUMBER

---

CUSTOMER EMAIL ADDRESS

---

NOTES

---



---

Note: Customised orders will not be able to be returned for credit

#### 1. Tate Handle

Finish: (please tick)



#### 2. Tate Handle Sleeve

Finish: (please tick)



#### 3. Tate Diverter Stick & Button

Finish: (please tick)



#### 4. Tate Diverter Knob

Finish: (please tick)



#### 5. Tate Diverter Faceplate

Finish: (please tick)



#### 6. Tate Diverter Knob Sleeve, Shower Mixer Sleeve & Dome Cover

Finish: (please tick)

