

TATE CUSTOMISATION FORM

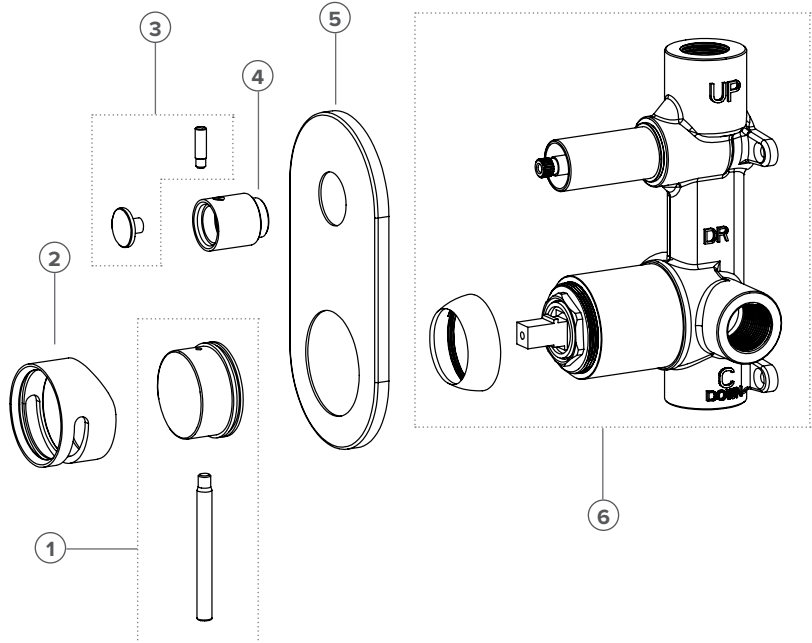


TATE DIVERTER MIXER

NEW ZEALAND REGISTERED DESIGN NO. 426071, NO. 426072 & NO. 427630

FINISHES

- C** CHROME
- BG** BRUSHED GOLD
- MB** MATTE BLACK
- BN** BRUSHED NICKEL
- GM** BRUSHED GUNMETAL
- BBZ** BRUSHED BRONZE
- GB** GLOSS BLACK



MERCHANT NAME / BRANCH

STAFF NAME

STAFF EMAIL ADDRESS

CUSTOMER NAME / JOB REFERENCE

CUSTOMER PHONE NUMBER

CUSTOMER EMAIL ADDRESS

NOTES

Note: Customised orders will not be able to be returned for credit

1. Tate Handle

Finish: (please tick)



2. Tate Handle Sleeve

Finish: (please tick)



3. Tate Diverter Stick & Button

Finish: (please tick)



4. Tate Diverter Knob

Finish: (please tick)



5. Tate Diverter Faceplate

Finish: (please tick)



6. Tate Diverter Knob Sleeve, Shower Mixer Sleeve & Dome Cover

Finish: (please tick)

