

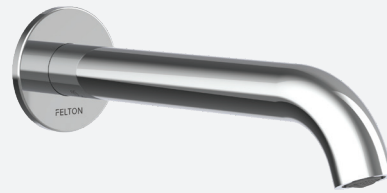
## TECHNICAL PRODUCT INFORMATION

# MOR

## BATH SPOUT

### FEATURES & BENEFITS

- Suitable for all pressures
- Available in chrome & PVD finishes
- 200mm reach (from flange to spout)
- ½ inch female thread
- Designed in NZ
- Watermark certified
- 10 year warranty (T&C's apply)



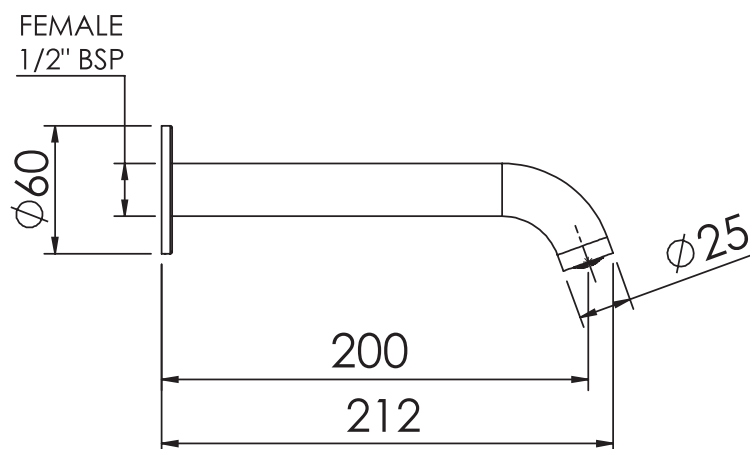
Chrome | MORBSC



Black  
MORBSB



Brushed Nickel  
MORBSBN



EXCLUSIVE TO

