

TECHNICAL PRODUCT INFORMATION

MOR

BASIN MIXER

FEATURES & BENEFITS

- Suitable for all pressures (up to 1500kPa)
- Available in chrome & PVD finishes
- 120mm reach
- 40mm quality European cartridge
- Designed in NZ
- Watermark certified
- 10 year warranty (T&C's apply)



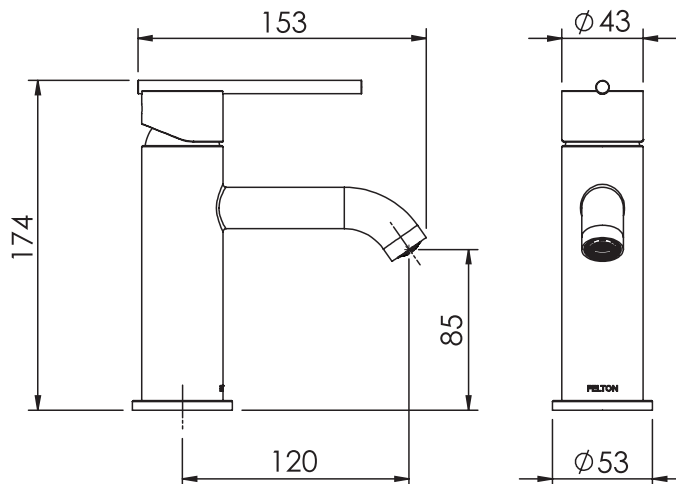
Chrome | MORBMC



Black
MORBMB



Brushed Nickel
MORBMBN



EXCLUSIVE TO

