

TECHNICAL PRODUCT INFORMATION

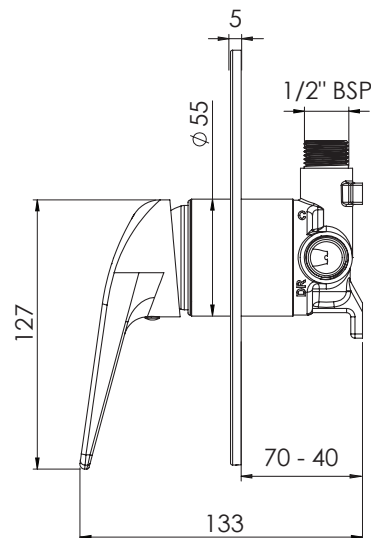
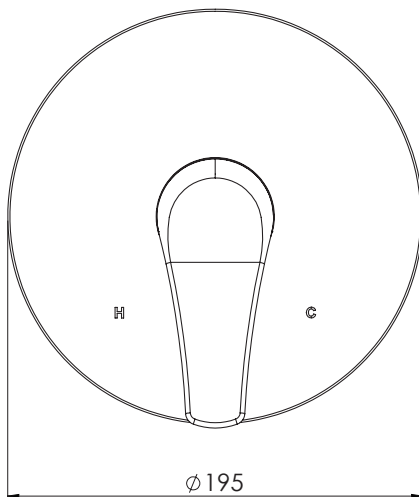
KNOX FUSION PLUS® SHOWER MIXER 195MM

KFSPCSMCL

FEATURES & BENEFITS

- Suitable for all pressures (35kPa - 1500kPa)
- Supplied with venturi jets for unequal pressures
- Full front of wall maintenance. Ideal for future mains pressure upgrade
- 195mm faceplate
- Proprietary Felton F5 cartridge with anti-scald and flow limiter
- Designed and assembled in NZ
- Watermark certified
- 10 year warranty & lifetime extension warranty available

Patented New Zealand No. 605175



EXCLUSIVE TO

