

TECHNICAL PRODUCT INFORMATION

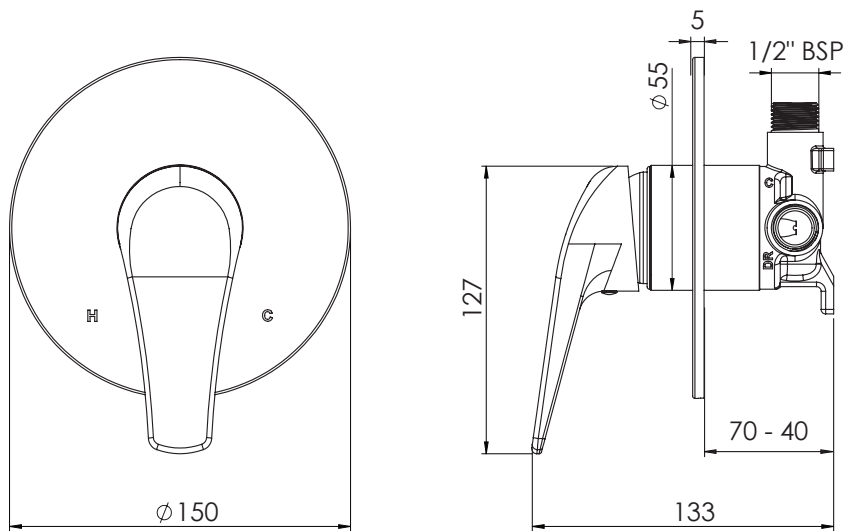
KNOX

KAPSMC

ALL PRESSURES SHOWER MIXER 150MM

FEATURES & BENEFITS

- Suitable for all pressures
- Includes venturi jets for optimal unequal pressure
- Proprietary Felton F5 cartridge with anti-scald and flow limiter
- Designed & assembled in NZ
- Watermark certified
- 10 year warranty (T&C's apply)



EXCLUSIVE TO

