

TECHNICAL PRODUCT INFORMATION

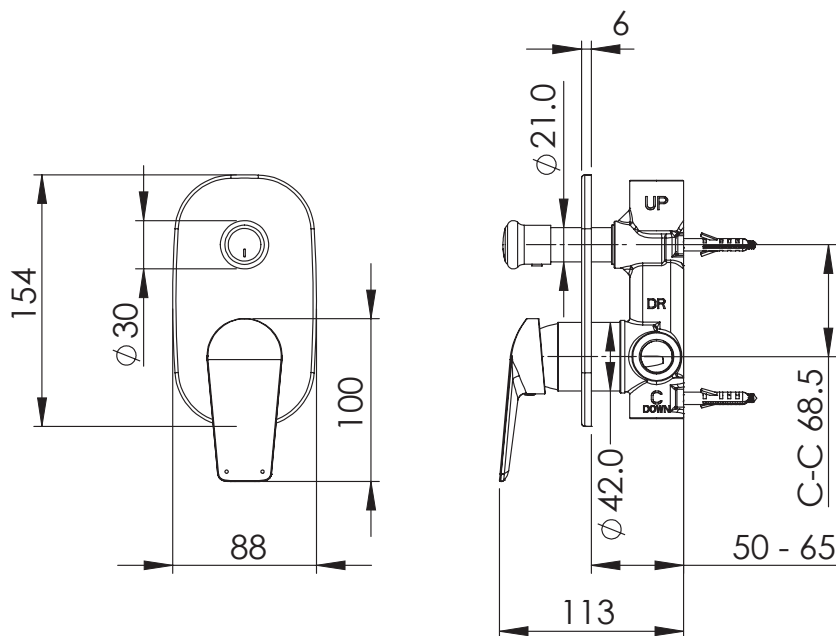
CORTO

MAINS PRESSURE DIVERTER MIXER

CDCSMC

FEATURES & BENEFITS

- For mains pressures only (500kPa)
- Switch between two water outlets
- 35mm quality European cartridge
- Designed and assembled in NZ
- Watermark certified
- 10 year warranty & lifetime extension warranty available



EXCLUSIVE TO

