

## TECHNICAL PRODUCT INFORMATION

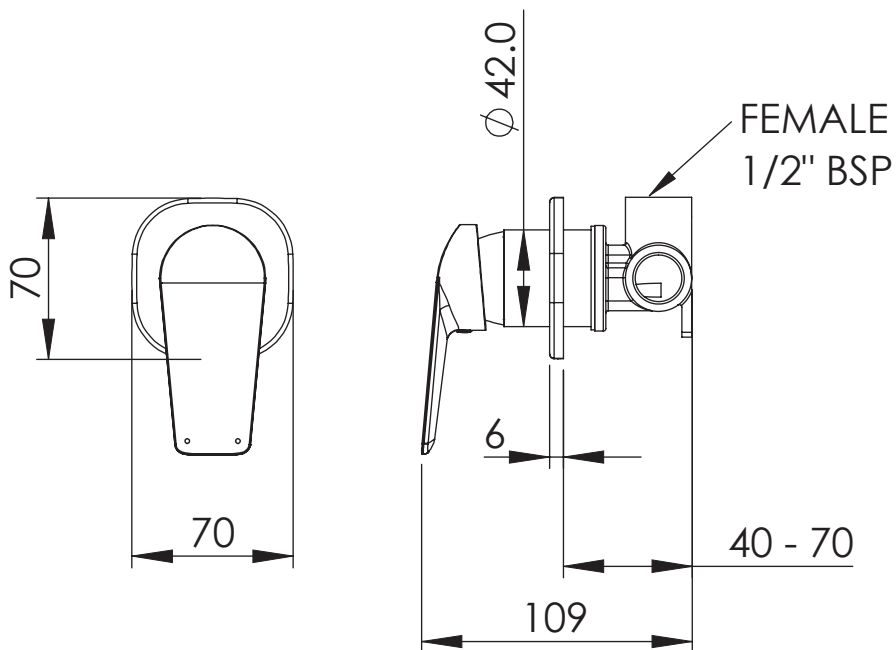
# CORTO

## MAINS PRESSURE SHOWER MIXER

CCSMC

### FEATURES & BENEFITS

- For mains pressures only (500kPa)
- Quality metal faceplate
- 35mm quality European cartridge
- Designed and assembled in NZ
- Watermark certified
- 10 year warranty & lifetime extension warranty available



EXCLUSIVE TO

