

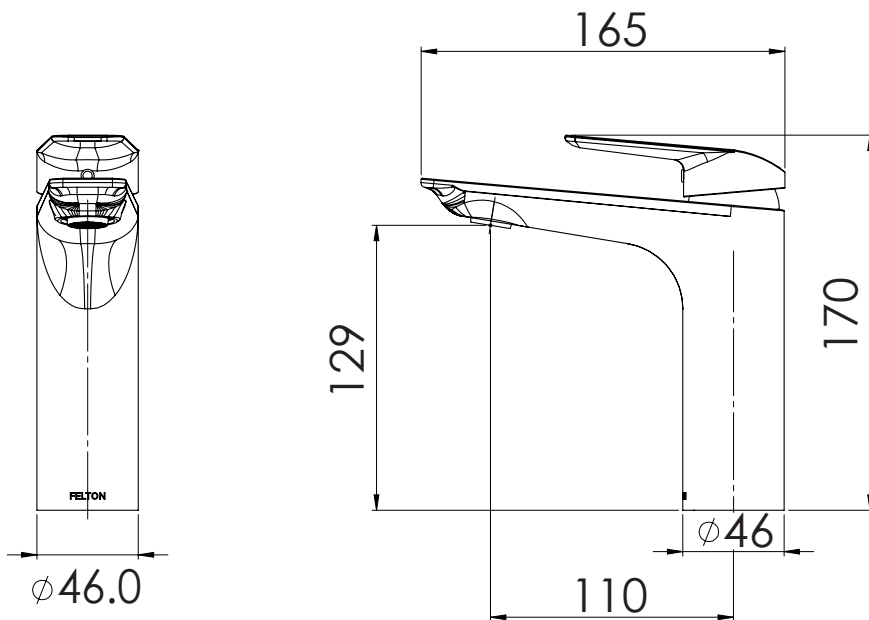
TECHNICAL PRODUCT INFORMATION

## CORTO BASIN MIXER

CBMC

### FEATURES & BENEFITS

- For all pressures (up to 1500kPa)
- 35mm quality European cartridge with anti-scald and flow limiter
- Pivoting aerator included
- Designed in NZ
- Watermark certified
- 10 year warranty & lifetime extension warranty available



EXCLUSIVE TO

