

TECHNICAL PRODUCT INFORMATION

AXISS RAIN SHOWER COLUMN

FEATURES & BENEFITS

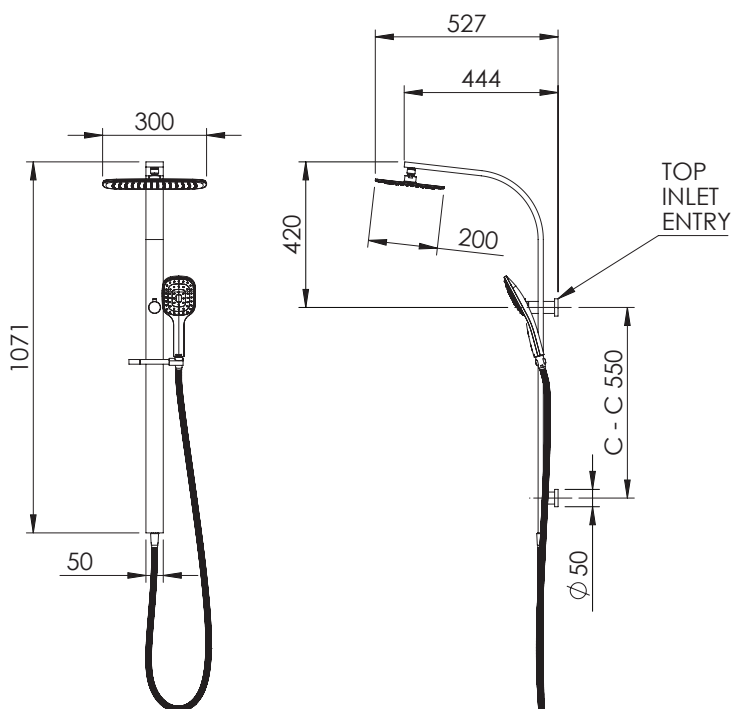
- For equal high (mains) pressure only
- 300 x 200mm rain head and single function handpiece
- Available in chrome & PVD finishes
- Shower aperture: Rainhead 89mm² | Handpiece 54mm²
- Brass shower column with brackets
- Top entry G1/2 BSP inlet
- Built in diverter to switch between rain head and handpiece
- 1.5m EN1113 rated hose
- Watermark certified
- 5 year warranty



Chrome | AXRSCC



Black
AXRSCB



RAIN HEAD



HANDPIECE