



TECHNICAL PRODUCT INFORMATION

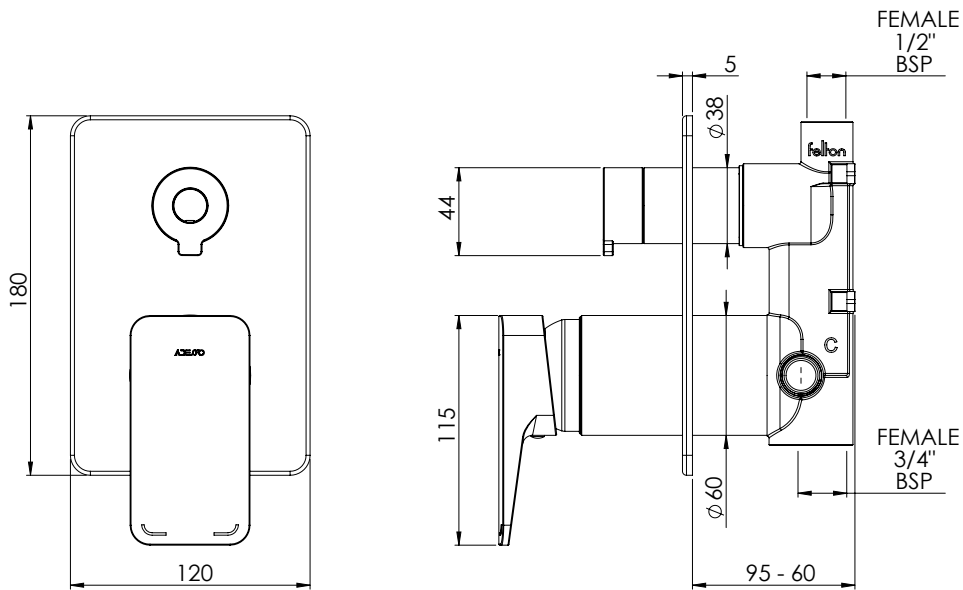
# MILA

DVDSMC

## VERSADISC™ BATH SHOWER DIVERTER MIXER

### FEATURES & BENEFITS

- Suitable for all pressures
- Full front of wall maintenance. Ideal for future mains pressure upgrade.
- Switch between two water outlets
- German made diverter headworks
- Proprietary Felton cartridge
- Designed and assembled in NZ



EXCLUSIVE TO

