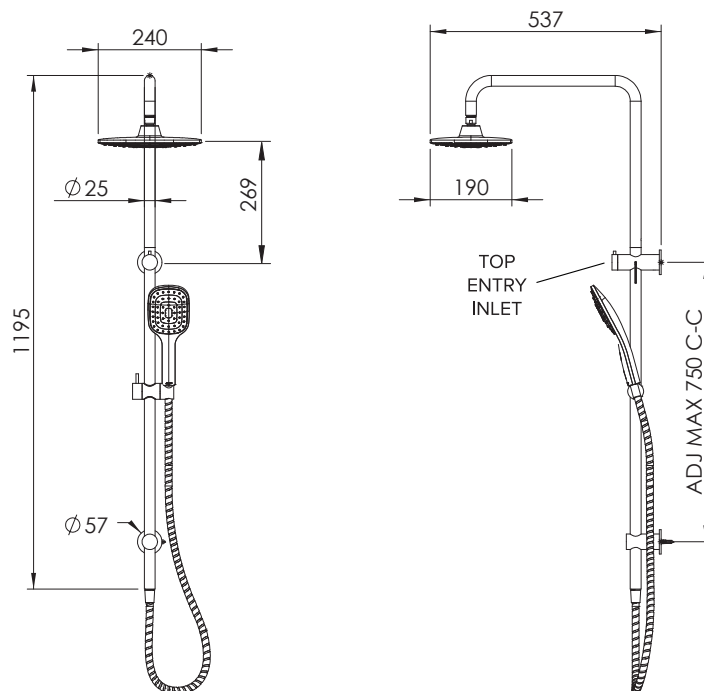


MILA SHOWER COLUMN

DSRSCC

FEATURES & BENEFITS

- For mains pressure only
- 240 x 190mm rain head and single function handpiece
- Top entry G1/2" BSP inlet
- Top mounted diverter to switch between rain head and handpiece
- Adjustable brass shower column brackets (max 750mm C-C)
- Shower aperture: rain head 81mm² | handpiece 54mm²
- 1.5m small bore EN1113 rated chrome hose



EXCLUSIVE TO



RAIN HEAD



HANDPIECE