

FELTON

TECHNICAL PRODUCT INFORMATION

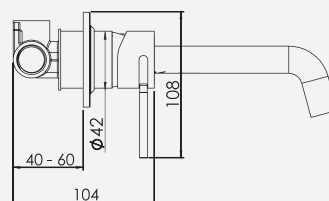
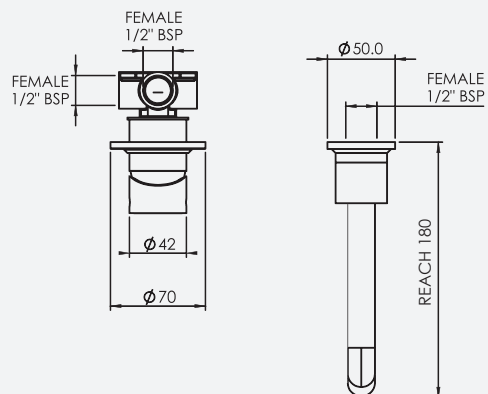
TATE

WALL MOUNTED BASIN/BATH MIXER 180MM

FEATURES & BENEFITS

- Suitable for mains pressure only (up to 500kPa)
- Available in chrome, black & PVD finishes
- 35mm quality European cartridge
- Available in 180mm and 220mm reach
- Suitable for left or right-handed installation
- Designed in NZ
- Watermark certified
- 20 year warranty (T&C's apply)

NEW ZEALAND REGISTERED DESIGN NO. 426071, NO. 426072 & NO. 427630



Chrome | NZ TBFC-S
AU TBFCA-S



Black
NZ TBFMB-S
AU TBFMBA-S



Brushed Stainless Finish
NZ TBFBN-S
AU TBFNA-S



Brushed Gunmetal
NZ TBFGM-S
AU TBFGMA-S



Brushed Gold
NZ TBFBG-S
AU TBFBA-S



Brushed Bronze
NZ TBFBBZ-S
AU TBFBBZA-S



Brushed Bronze / Black
NZ TBFBBZ-MB-S
AU TBFBBZ-MBA-S