

FELTON

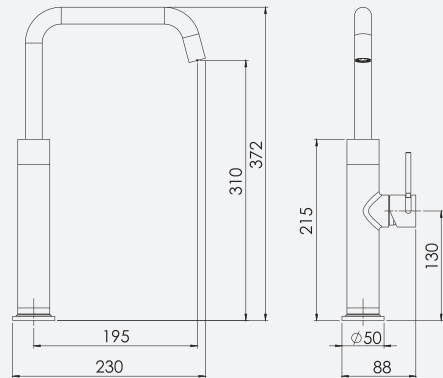
TECHNICAL PRODUCT INFORMATION

TATE SINK MIXER

FEATURES & BENEFITS

- Suitable for mains pressure only (up to 1500kPa)
- Available in chrome, black & PVD finishes
- 25mm quality European cartridge
- 360° swivel spout
- Designed in NZ
- Watermark certified
- 20 year warranty (T&C's apply)

NEW ZEALAND REGISTERED DESIGN NO. 426071, NO. 426072 & NO. 427630



Chrome | NZ TSMC
AU TSMCA



Black
NZ TSMMB
AU TSMBBA



Brushed Stainless Finish
NZ TSMBN
AU TSMBNA



Brushed Gunmetal
NZ TSMGM
AU TSMGMA



Brushed Gold
NZ TSMBG
AU TSMBGA



Brushed Bronze
NZ TSMBBZ
AU TSMBBZA



Brushed Bronze / Black
NZ TSMMB-GB
AU TSMMB-GBA