

FELTON

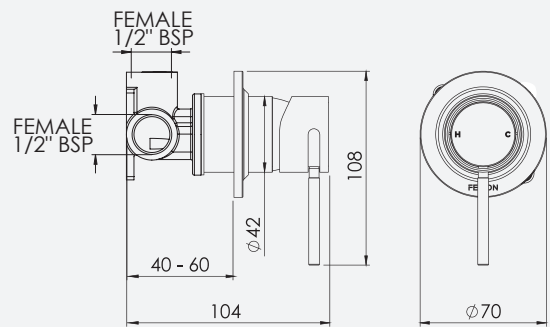
TECHNICAL PRODUCT INFORMATION

TATE SHOWER MIXER

FEATURES & BENEFITS

- Suitable for mains pressure only (up to 500kPa)
- Available in chrome, black & PVD finishes
- 35mm quality European cartridge
- Designed & assembled in NZ
- Watermark certified
- 20 year warranty (T&C's apply)

NEW ZEALAND REGISTERED DESIGN NO. 426071, NO. 426072 & NO. 427630



Chrome | NZ TCSMC
AU TCSMCA



Black
NZ TCSMMB
AU TCSMMBA



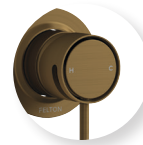
Brushed Stainless Finish
NZ TCSMBN
AU TCSMBNA



Brushed Gunmetal
NZ TCSMGH
AU TCSMGMA



Brushed Gold
NZ TCSMBG
AU TCSMBGA



Brushed Bronze
NZ TCSMBBZ
AU TCSMBBZA



Brushed Bronze / Black
NZ TCSMBBZ-MB
AU TCSMBBZ-MBA