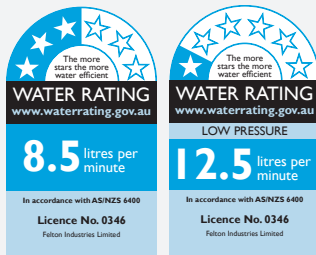
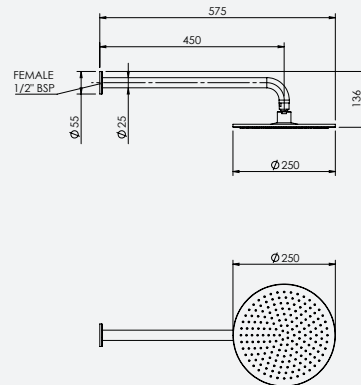


TATE

RAIN HEAD WALL MOUNTED 450MM

FEATURES & BENEFITS

- Suitable for all pressures (min 70kPa)
- Available in chrome, black & PVD finishes
- Ø250mm rain head
- Shower aperture 96mm²
- 450mm horizontal reach (from flange to outlet)
- G1/2 inch female inlet threaded arm
- 5 year warranty (T&C's apply)



Applies to NZ only



Chrome | NZ TRHWC
AU TRHWCMA



Black
NZ TRHWMB
AU TRHWMBMA



Brushed Stainless Finish
NZ TRHWMBN
AU TRHWMBNA



Brushed Gunmetal
NZ TRHWMGM
AU TRHWMGMA



Brushed Gold
NZ TRHWMBG
AU TRHWMBGA



Brushed Bronze
NZ TRHWMBBZ
AU TRHWMBBZA