

FELTON

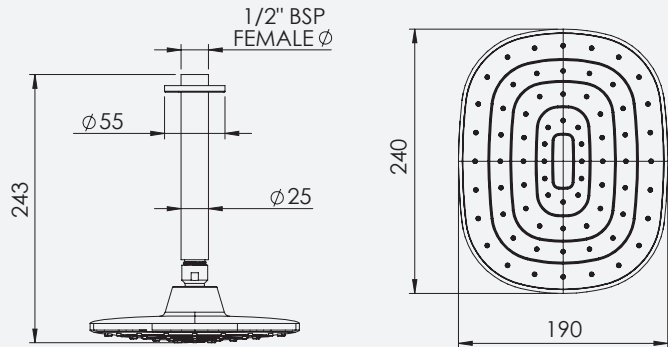
TECHNICAL PRODUCT INFORMATION

QUE

RAIN HEAD CEILING MOUNTED (180mm)

FEATURES & BENEFITS

- For all pressures (min 35kPa)
- Available in chrome & black
- Shower aperture - 89mm²
- 300 x 200mm stainless steel rainhead
- 180mm vertical reach (from flange to outlet)
- 1/2 inch female thread
- Watermark certified
- 5 year warranty (T&C's apply)



Applies to NZ only



Black
NZ QRHCMSB
AU QRHCMSBA

Chrome | NZ QRHCMSC
AU QRHCMSCA