

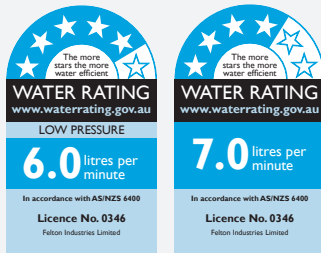
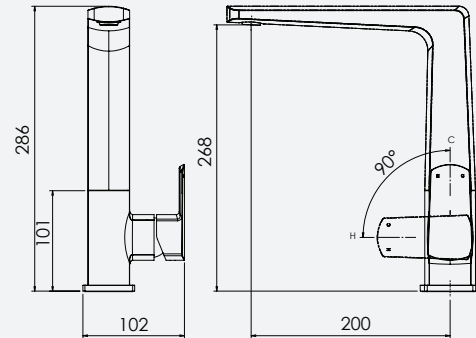
FELTON

TECHNICAL PRODUCT INFORMATION

QUE II SINK MIXER

FEATURES & BENEFITS

- Suitable for all pressures (up to 1500kPa)
- Available in chrome, black & PVD finishes
- 35mm quality European cartridge
- 360° swivel spout
- Designed in NZ
- Watermark certified
- Manufactured from lead free materials
- 20 year warranty (T&C's apply)



Applies to NZ only



Chrome | NZ Q2SMC
AU Q2SMCA



Black
NZ Q2SMB
AU Q2SMBA



Brushed Stainless Finish
NZ Q2SMBN
AU Q2SMBNA