

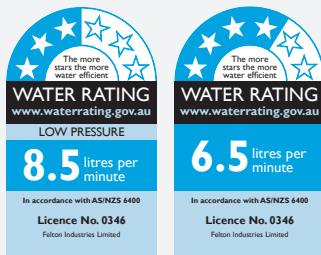
# FELTON

## TECHNICAL PRODUCT INFORMATION

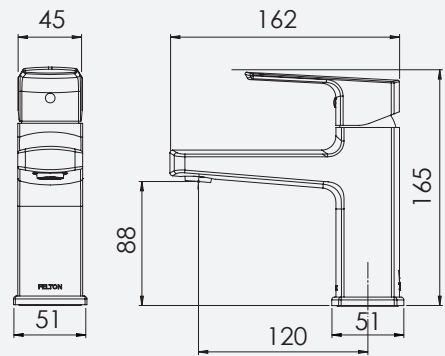
### QUE BASIN MIXER

#### FEATURES & BENEFITS

- Suitable for all pressures (up to 1500kPa)
- Available in chrome, black & PVD finishes
- 35mm quality European cartridge
- Designed in NZ
- Watermark certified
- Manufactured from lead free materials
- 20 year warranty (T&C's apply)



Applies to NZ only



Chrome | NZ QBMC  
AU QBMCA



Black  
NZ QBMB  
AU QBMBA



Brushed Stainless Finish  
NZ QBMBN  
AU QBMBNA