

FELTON

TECHNICAL PRODUCT INFORMATION

QUE

RAIN SHOWER COLUMN

FEATURES & BENEFITS

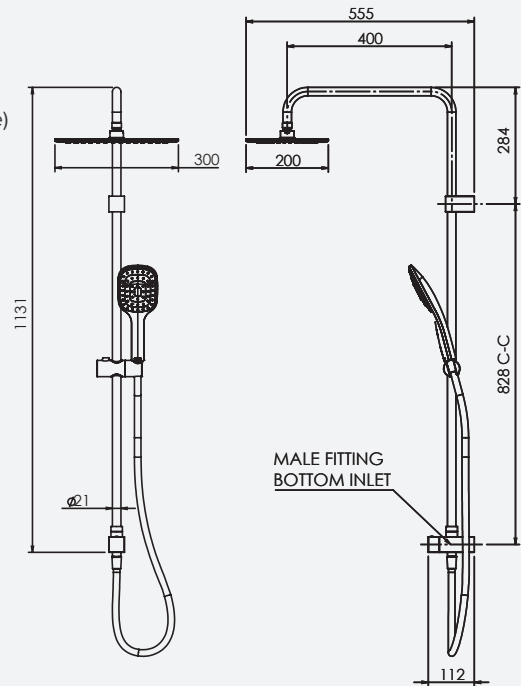
- Suitable for equal high (mains) pressure only
- 240 x 190mm rain head and single function handpiece (chrome/white)
- Brass shower column with brackets
- Bottom entry G1/2 BSP inlet
- Shower aperture: rain head: 81mm² | handpiece: 54mm²
- Built in diverter to switch between rain head and handpiece
- 1.5m small bore EN1113 rated hose
- Watermark certified
- 5 year warranty (T&C's apply)



RAIN HEAD



HANDPIECE



Chrome | NZ QRSCC
AU QRSCCA