

FELTON

TECHNICAL PRODUCT INFORMATION

QUE

RAIN SHOWER COLUMN BRUSHED STAINLESS FINISH

FEATURES & BENEFITS

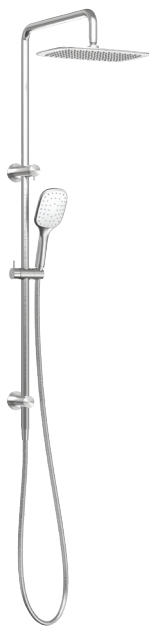
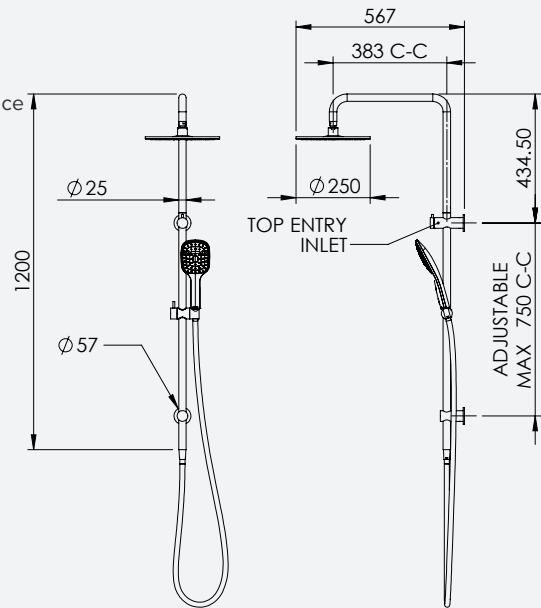
- Suitable for equal high (mains) pressure only
- Brushed stainless PVD finish
- 300 x 200mm stainless steel rain head and single function handpiece
- Brass shower column with brackets
- Top section pivotable
- Built in diverter to switch between rain head and handpiece
- Shower aperture: rain head 89mm² | handpiece 54mm²
- Top entry G1/2 inch female inlet
- Watermark certified
- 5 year warranty (T&C's apply)



RAIN HEAD



HANDPIECE



Chrome | NZ QRSCBN
AU QRSCBNA