

FELTON

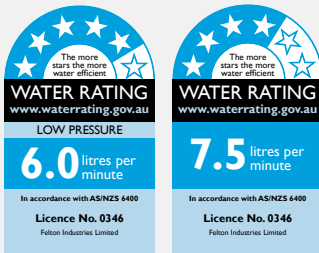
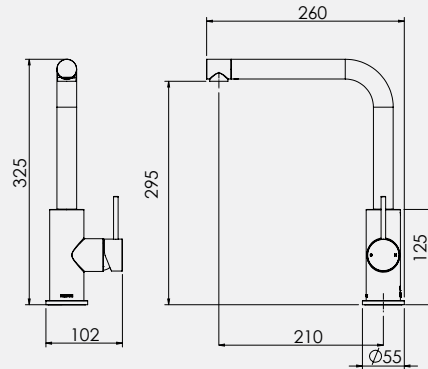
TECHNICAL PRODUCT INFORMATION

LINEA

SWIVEL SINK MIXER

FEATURES & BENEFITS

- Suitable for all pressures (up to 1500kPa)
- Available in chrome, black & PVD finishes
- 210mm reach
- 35mm quality European cartridge with anti-scald and flow limiter
- 360° swivel spout
- Designed in NZ
- Manufactured from lead free materials
- 20 year warranty (T&C's apply)



Applies to NZ only



Chrome | NZ LSSMC
AU LSSMCA



Black
NZ LSSMB
AU LSSMBA



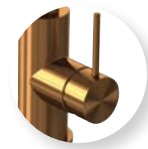
Brushed Stainless Finish
NZ LSSMBN
AU LSSMBNA



Brushed Gunmetal
NZ LSSMG
AU LSSMGMA



Brushed Gold
NZ LSSMBG
AU LSSMBGA



Brushed Bronze
NZ LSSMBBZ
AU LSSMBBZA