

FELTON

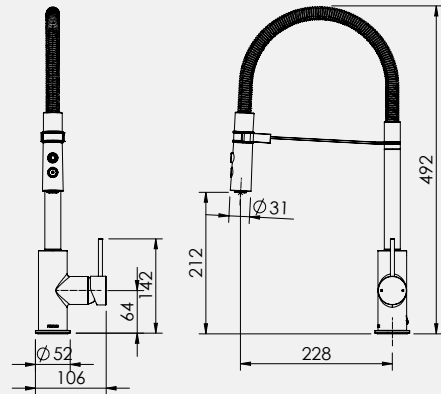
TECHNICAL PRODUCT INFORMATION

LINEA

SPRING SINK MIXER

FEATURES & BENEFITS

- Suitable for mains pressure only
- Available in chrome, black & PVD finishes
- Pull down spout with dual function spray and jet
- Features an integrated magnet holder for docking spray nozzle
- Ideal for washing vegetables, cleaning dishes or harder to reach areas
- 360° swivel spout
- 35mm quality European cartridge with anti-scald and flow limiter
- 228mm reach
- Not for commercial use
- Manufactured from lead free materials
- 20 year warranty (T&C's apply)



Chrome | NZ LSMC02
AU LSMC02A



Black
NZ LSB02
AU LSB02A



Brushed Stainless Finish
NZ LSBN02
AU LSBN02A