

FELTON

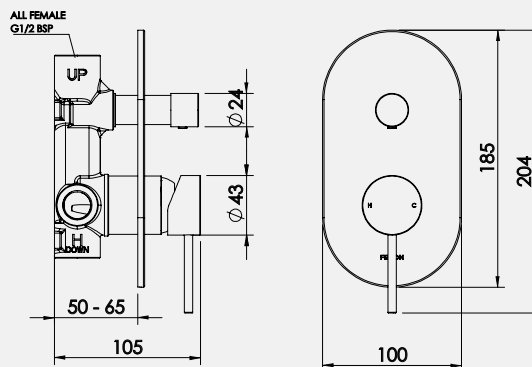
TECHNICAL PRODUCT INFORMATION

LINEA

MAINS PRESSURE DIVERTER MIXER

FEATURES & BENEFITS

- Suitable for mains pressure only (up to 500kPa)
- Available in chrome & PVD finishes
- Switch between two water outlets
- 35mm quality European cartridge
- Designed in NZ
- 20 year warranty (T&C's apply)



Chrome | NZ LDCSMC
AU LDCSMCA



Black
NZ LDCSMB
AU LDCSMBA



Brushed Stainless Finish
NZ LDCSMBN
AU LDCSMBNA



Brushed Gunmetal
NZ LDCSMGM
AU LDCSMGMA



Brushed Gold
NZ LDCSMBG
AU LDCSMBGA



Brushed Bronze
NZ LDCSMBBZ
AU LDCSMBBZA