

# INSTALLATION GUIDE

FELTON

## TATE RAIN SHOWER COLUMN

### SYSTEM REQUIREMENTS

To ensure the optimum performance and customer satisfaction please adhere to the following:

- Flush out all pipe work prior to installation.
- Installation should comply with relevant local authority requirements.
- Backflow protection must be provided in accordance with AS/NZS 3500 and local authority requirements, as assessed and installed by a registered plumber; backflow devices may or may not be supplied depending on product.
- Installation must be carried out by a registered plumber in accordance with AS/NZS 3500, the New Zealand Building Code and Felton instructions.
- Inspection and maintenance must be carried out in accordance with Felton instructions to ensure ongoing performance and compliance.

**AS/NZS 3500.1 states that pressures above 500kPa can cause damage from water hammer, reduce the life of appliances, taps & fittings, cause excessive noise in the system and recommend that a pressure limiting valve (PLV) be fitted.**

**Failure to comply with the above will void all warranties.**

	MINIMUM	MAXIMUM
Operating pressures	150kPa (21.8psi)	500kPa (72.1psi)
Operating Hot Water Temperatures	55°C	60°C
Operating Cold Water Temperatures	5°C	N/A

### BUILDING PRODUCT INFORMATION REQUIREMENTS (BPIR) RELEVANT BUILDING CODE CLAUSES & CONTRIBUTIONS TO COMPLIANCE

This product is Watermarked under license **WM25644 - Showers AS/NZS 3662: 2005**

#### **B2 - Durability**

##### **B2.3.1 (c) applies (performance of building elements)**

Proof of durability – Service history: Felton products have been installed and used in NZ for the last 50 years and warranty calls are at a minimum and within the quality principles of Felton. Products that are WaterMark certified are subject to endurance testing.

#### **F2 - Hazardous building materials**

##### **F 2.3.1 applies (performance)**

Backflow protection must be provided in accordance with AS/NZS 3500 and local authority requirements, as assessed and installed by a registered plumber; backflow devices may or may not be supplied depending on product.

#### **G1 - Personal Hygiene**

##### **G1.3.1 applies (performance)**

Felton shower products are designed to provide effective personal hygiene through the safe and reliable delivery of potable water. Products are WaterMark certified and tested to AS/NZS 3500, ensuring suitability, performance, and durability for use in New Zealand plumbing systems.

##### **G1.3.2 applies (performance)**

Backflow protection must be provided in accordance with AS/NZS 3500 and local authority requirements, as assessed and installed by a registered plumber; backflow devices may or may not be supplied depending on product. Product features, performance information, and installation requirements are provided on Felton website product pages and supporting brochures to ensure correct specification and installation.

#### **G12 - Water Supplies**

##### **G12.3.2 applies (contamination of water)**

Backflow protection must be provided in accordance with AS/NZS 3500 and local authority requirements, as assessed and installed by a registered plumber; backflow devices may or may not be supplied depending on product.

##### **G12.3.5 applies (performance)**

Felton sanitary fixtures intended for utensil washing and personal washing, showering, or bathing are designed to be connected to a hot water supply, ensuring suitability for potable water, non-contamination, and compliance with the performance requirements of NZ Building Code G12.

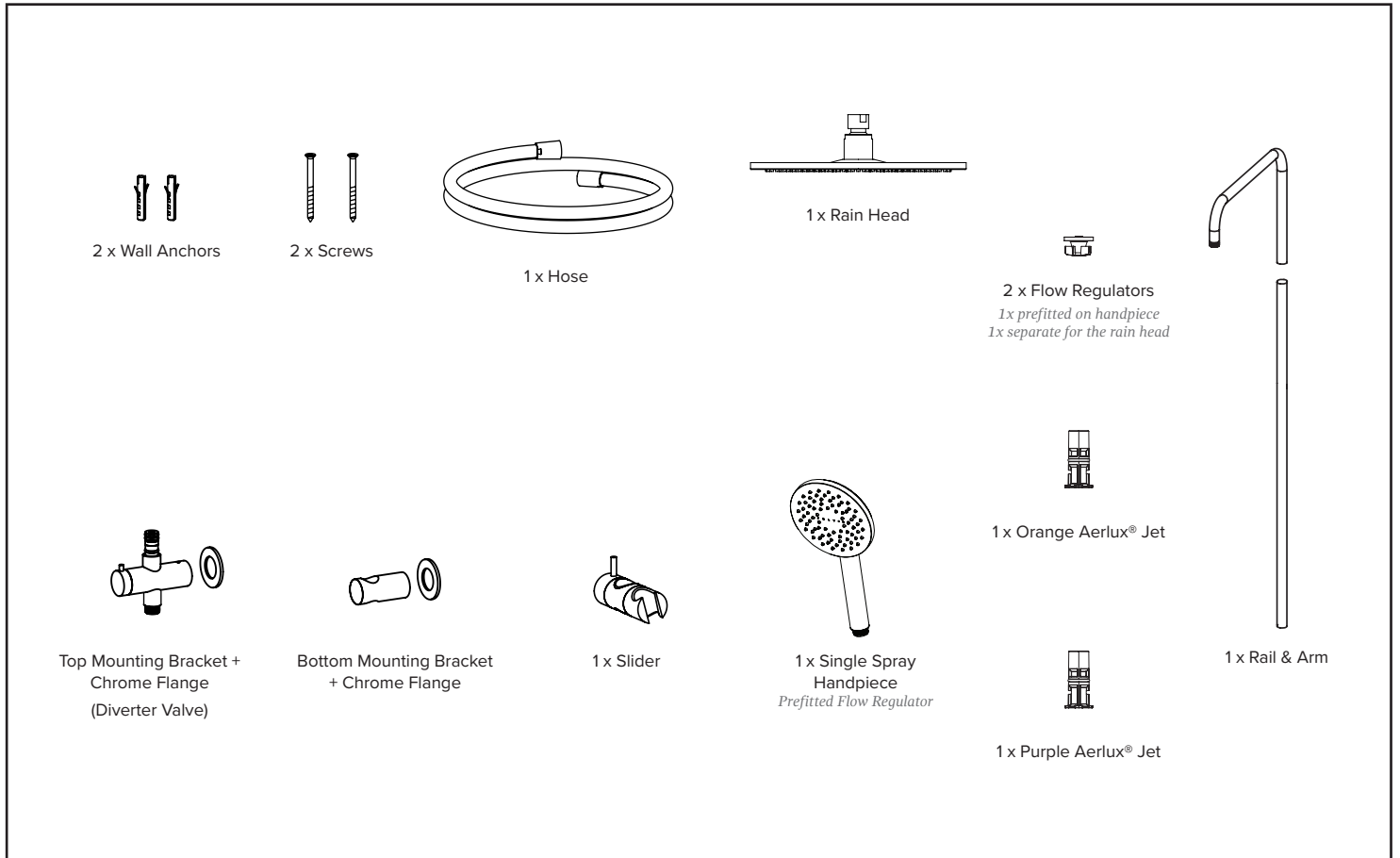
##### **G12.3.7 (c) applies (flow rates)**

All Felton products are designed, manufactured and inspected/tested, that are WaterMark certified, are subject to flow rates testing that is within the limitation set by the AS/NZS 3500 (NZBC) and the WELS regulations.

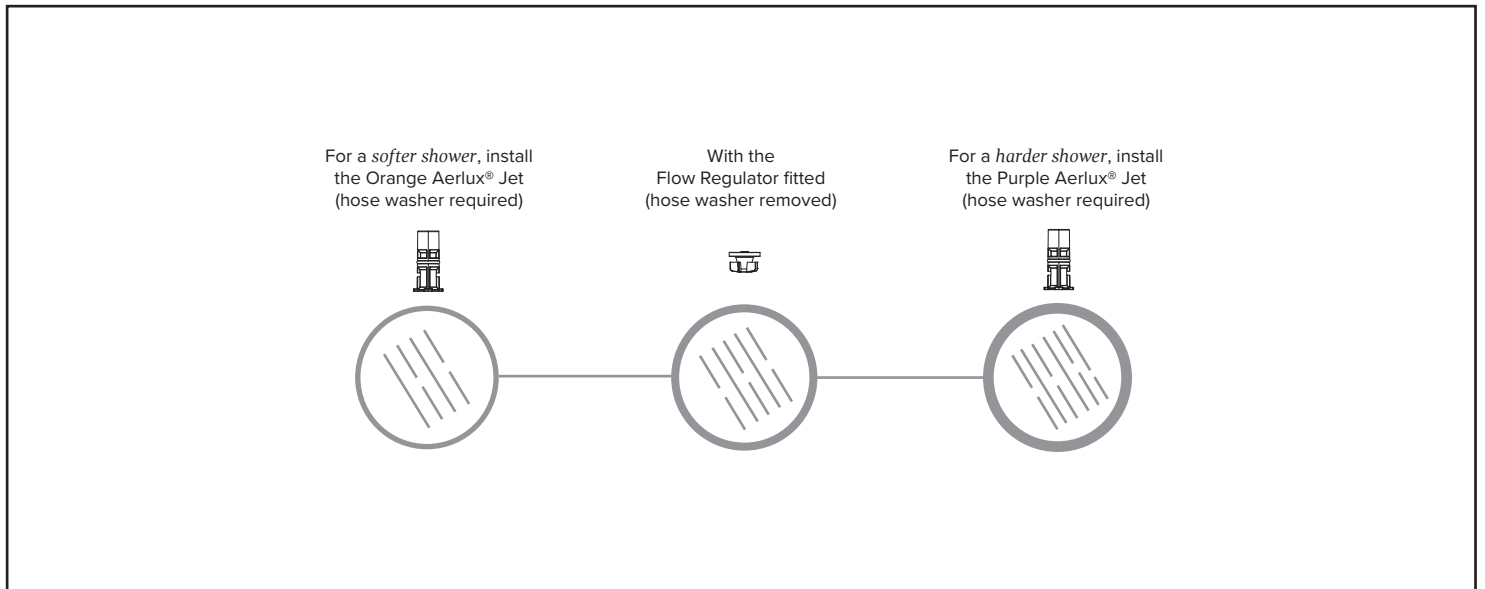
##### **G12.3.10 applies (performance)**

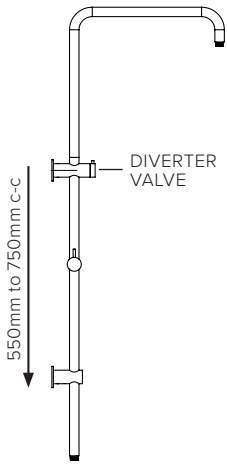
Felton water supply taps are designed to be accessible and operable, including for people with disabilities, when installed in accordance with Felton's instructions, supporting compliance with the accessibility requirements of the NZ Building Code.

WHAT IS IN THE PACK



CHOOSING THE AERLUX® JET





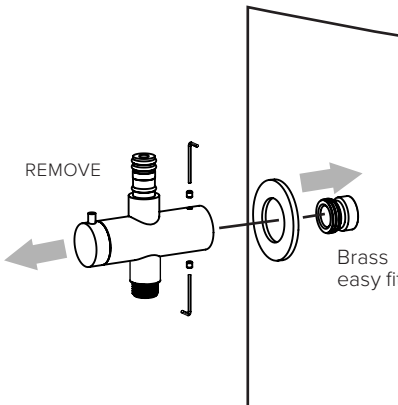
550mm to 750mm c-c

DIVERTER VALVE

Mark down vertical between 550mm and 750mm from centre of water outlet.  
**Warning:** Ensure no water pipe or power cable in wall at this location.  
**IMPORTANT:** The threaded water outlet must not protrude more than 10mm from wall face.

1. Apply thread seal tape to water outlet.

TOP

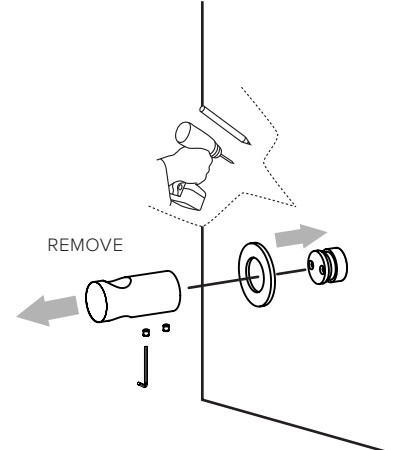


REMOVE

Brass easy fit

2. Loosen grub screws on body of diverter valve using a 2.5mm allen key. Withdraw the brass easy fit. Screw easy fit onto water outlet till it is flush against the wall face; slide chrome flange over the easy fit.

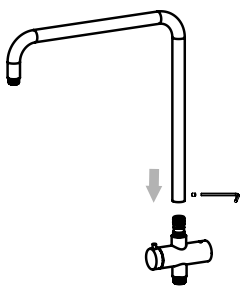
BOTTOM



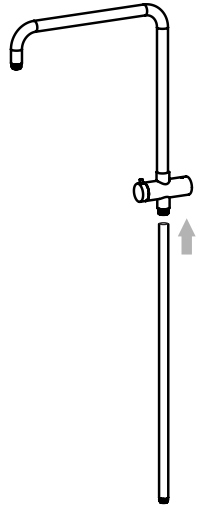
REMOVE

3. Loosen grub screws from the lower mounting bracket using a 2.5mm allen key and remove the easy fit. Mark and use screws to fasten easy fit into place, then slide chrome flange over.

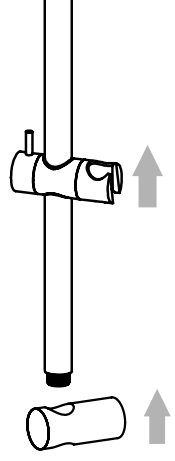
*(If installing into concrete, use wall anchors provided. Squeeze to close each toggle and push in until flush with the wall).*



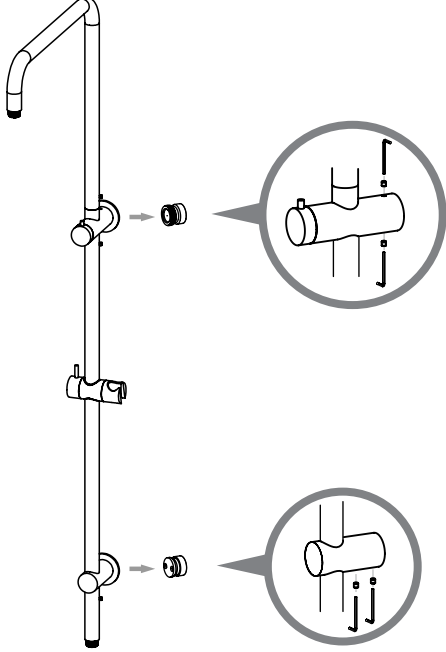
4. Fit overhead shower arm onto diverter valve and secure grub screw on shower arm into the white bushing using the 2.5mm allen key.



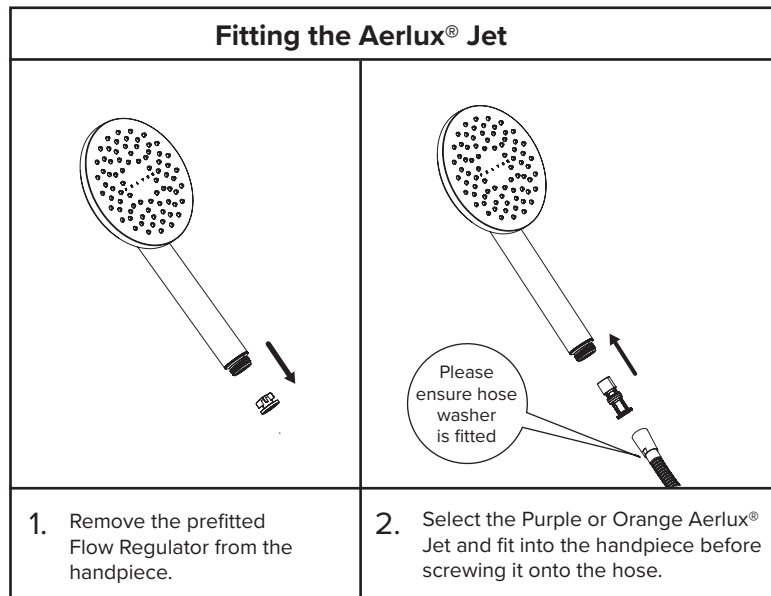
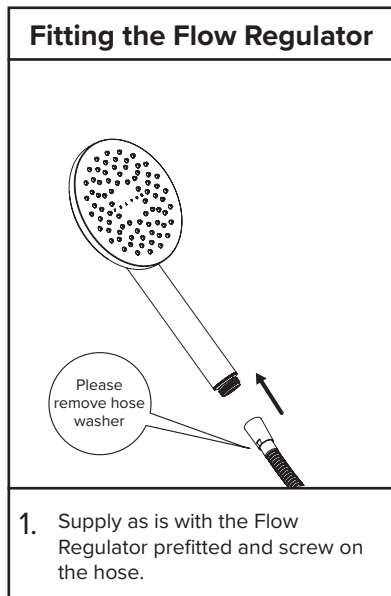
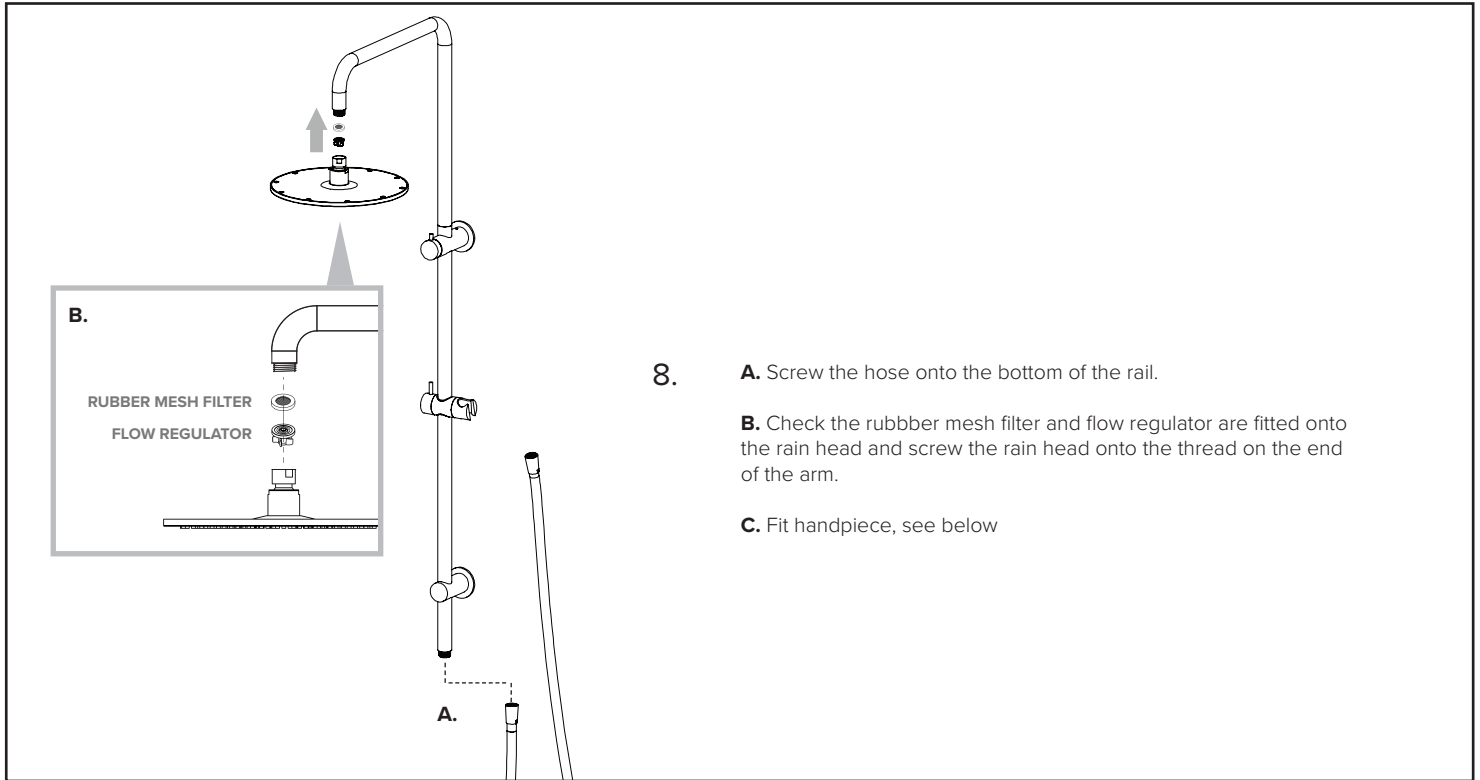
5. Screw bottom rail section onto diverter valve.



6. Fit slider first onto the rail and lock it halfway up. Then fit bottom mounting bracket onto the rail.



7. Fit the entire assembly onto wall by tightening the grub screws on the bottom and top mounting bracket using the 2.5mm allen key.



For technical assistance please ring  
NZ 0800 743 358 or (09) 528 0810 | AUS 1800 798 760