


# INSTALLATION GUIDE

## SOL SINGLE SPRAY SLIDE SHOWER

### SYSTEM REQUIREMENTS

To ensure the optimum performance and customer satisfaction please adhere to the following:

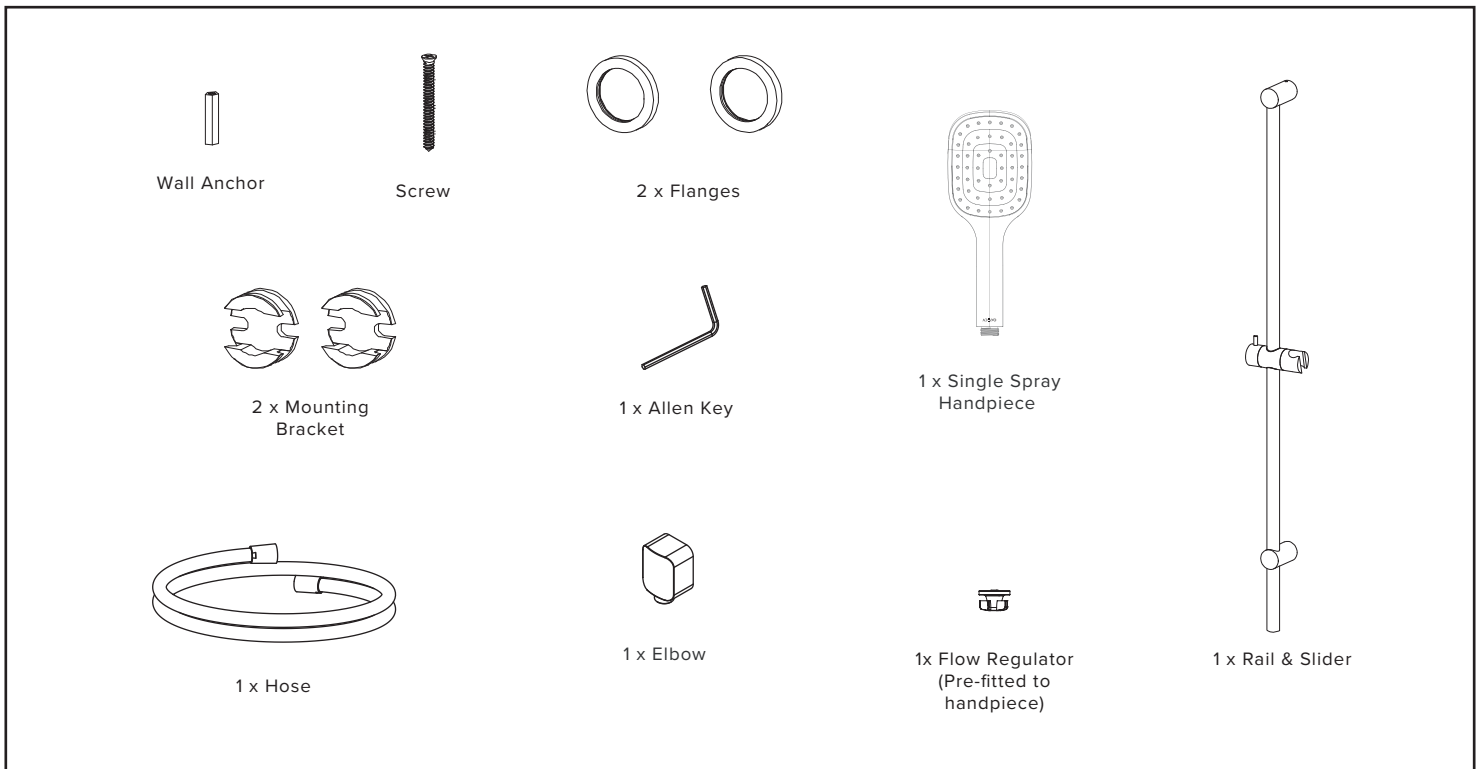
- Flush out all pipe work prior to installation.
- Installation should comply with relevant local authority requirements.
- Backflow protection must be provided in accordance with AS/NZS 3500 and local authority requirements, as assessed and installed by a registered plumber; backflow devices may or may not be supplied depending on product.
- Installation must be carried out by a registered plumber in accordance with AS/NZS 3500, the New Zealand Building Code and instructions.
- Inspection and maintenance must be carried out in accordance with instructions to ensure ongoing performance and compliance.

 **AS/NZS 3500.1 states that pressures above 500kPa can cause damage from water hammer, reduce the life of appliances, taps & fittings, cause excessive noise in the system and recommend that a pressure limiting valve (PLV) be fitted.**

 **Failure to comply with the above will void all warranties.**

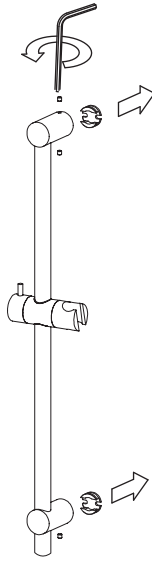
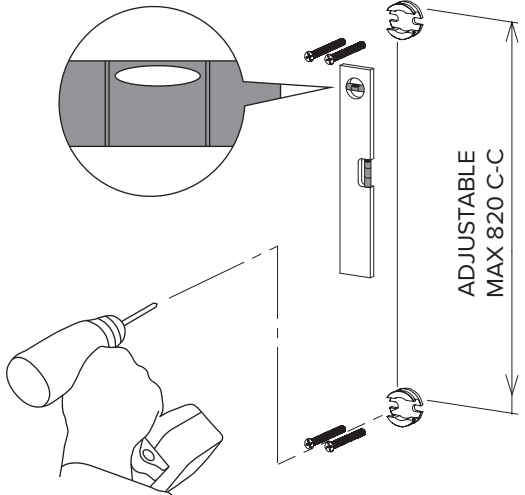
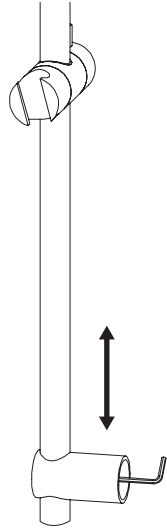
	MINIMUM	MAXIMUM
Operating pressures	70kPa (5.1psi)	500kPa (72.1psi)
Operating Hot Water Temperatures	55°C	60°C
Operating Cold Water Temperatures	5°C	N/A

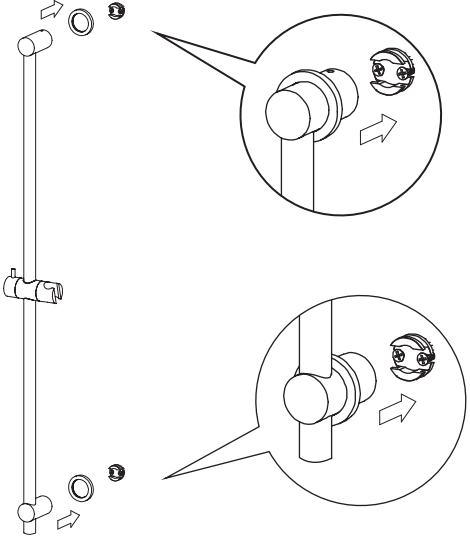
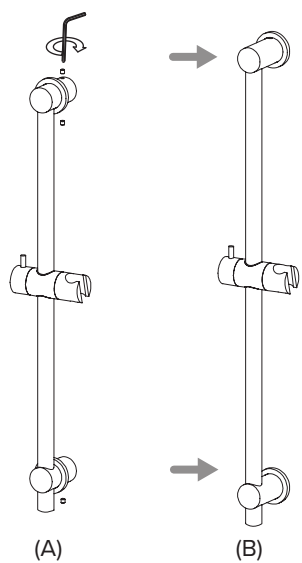
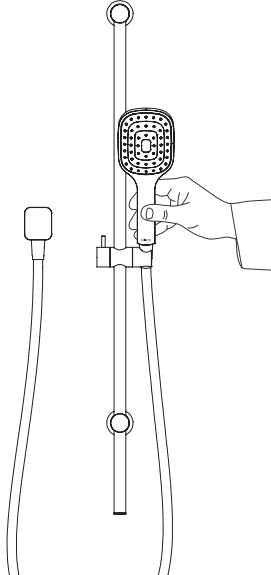
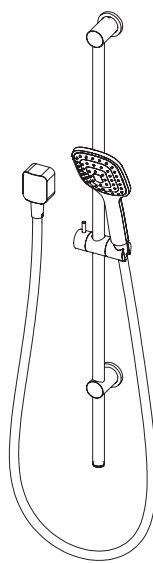
### WHAT IS IN THE PACK



**HOW TO INSTALL**

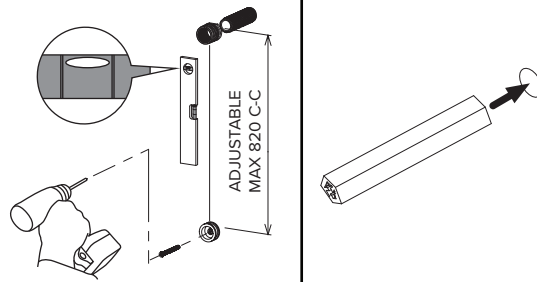
**INSTALLING INTO STUD/NOG...(RECOMMENDED)**

		
<p>1. Untighten the grub screws from the top and bottom of the rail with a 2.5mm allen key and remove the brackets.</p>	<p>2. Screw the Top Inlet Mounting Bracket onto the water outlet. Sealant is required on thread to achieve a water tight seal. Mount the brackets into the desired position on the wall (adjustable MAX 820mm c-c), ensuring that they are in the correct orientation.</p>	<p>3. Adjust the bottom bracket on the rail, using a 2.5mm allen key to loosen and tighten the grub screw inside the back of the bracket.</p>

	 <p>(A) (B)</p>		
<p>4. Fit the flanges over both brackets of the rail. Then mount the rail onto the brackets in place. Ensure that both rail and bracket are secured. It is recommended that silicone sealant be used to seal the fixing brackets.</p>	<p>5. Tighten the grub screws on the rail with an allen key (A). Push the flanges firmly against the wall (B).</p>	<p>6. Screw the elbow into the water outlet (wingback). Sealant required on thread to achieve a water tight seal. Screw the hose onto the elbow.</p>	

**INSTALLING INTO CONCRETE/BRICK WALL...**

Pre-drill holes to the desired position (adjustable maximum 820mm c-c) and fit the wall anchors then follow the above instructions.



**IF YOU HAVE...**

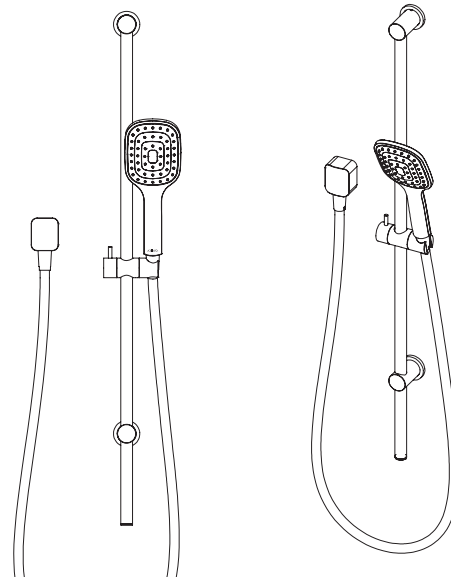
**EQUAL HIGH/MAINS PRESSURE**

**Fitting the Flow Regulator**

1.

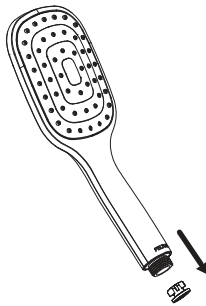


Supplied with the Flow Regulator prefitted - attach to the hose and place in slider

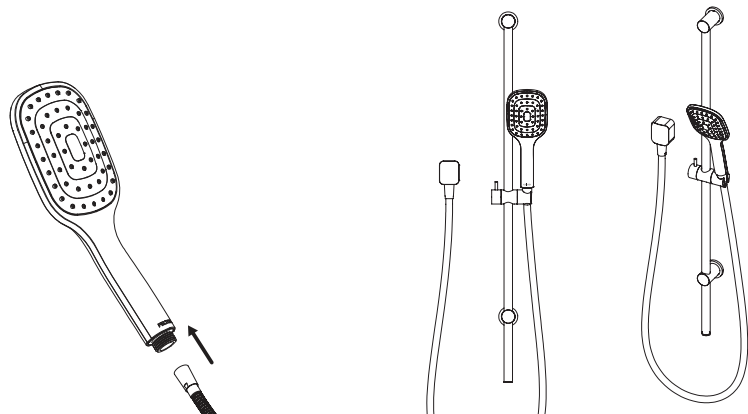


**EQUAL LOW PRESSURE OR UNEQUAL PRESSURE**

1.



Remove the prefitted Flow Regulator from the handpiece...



2. Attach to hose and place in slider