

INSTALLATION GUIDE

FELTON

WILLO AERLUX® RAIN SHOWER COLUMN WARSCC

SYSTEM REQUIREMENTS

To ensure the optimum performance and customer satisfaction please adhere to the following:

- Flush out all pipe work prior to installation.
- Installation should comply with relevant local authority requirements.
- Backflow protection must be provided in accordance with AS/NZS 3500 and local authority requirements, as assessed and installed by a registered plumber; backflow devices may or may not be supplied depending on product.
- Installation must be carried out by a registered plumber in accordance with AS/NZS 3500, the New Zealand Building Code and Felton instructions.
- Inspection and maintenance must be carried out in accordance with Felton instructions to ensure ongoing performance and compliance.

AS/NZS 3500.1 states that pressures above 500kPa can cause damage from water hammer, reduce the life of appliances, taps & fittings, cause excessive noise in the system and recommend that a pressure limiting valve (PLV) be fitted.

Failure to comply with the above will void all warranties.

	MINIMUM	MAXIMUM
Operating pressures	150kPa (21.8psi)	500kPa (72.1psi)
Operating Hot Water Temperatures	55°C	60°C
Operating Cold Water Temperatures	5°C	N/A

BUILDING PRODUCT INFORMATION REQUIREMENTS (BPIR) RELEVANT BUILDING CODE CLAUSES & CONTRIBUTIONS TO COMPLIANCE

This product is Watermarked under license **WM25644 - Showers AS/NZS 3662: 2005 (Pending)**

B2 - Durability

B2.3.1 (c) applies (performance of building elements)

Proof of durability – Service history: Felton products have been installed and used in NZ for the last 50 years and warranty calls are at a minimum and within the quality principles of Felton. Products that are WaterMark certified are subject to endurance testing.

F2 - Hazardous building materials

F 2.3.1 applies (performance)

Backflow protection must be provided in accordance with AS/NZS 3500 and local authority requirements, as assessed and installed by a registered plumber; backflow devices may or may not be supplied depending on product.

G1 - Personal Hygiene

G1.3.1 applies (performance)

Felton shower products are designed to provide effective personal hygiene through the safe and reliable delivery of potable water. Products are WaterMark certified and tested to AS/NZS 3500, ensuring suitability, performance, and durability for use in New Zealand plumbing systems.

G1.3.2 applies (performance)

Backflow protection must be provided in accordance with AS/NZS 3500 and local authority requirements, as assessed and installed by a registered plumber; backflow devices may or may not be supplied depending on product. Product features, performance information, and installation requirements are provided on Felton website product pages and supporting brochures to ensure correct specification and installation.

G12 - Water Supplies

G12.3.2 applies (contamination of water)

Backflow protection must be provided in accordance with AS/NZS 3500 and local authority requirements, as assessed and installed by a registered plumber; backflow devices may or may not be supplied depending on product.

G12.3.5 applies (performance)

Felton sanitary fixtures intended for utensil washing and personal washing, showering, or bathing are designed to be connected to a hot water supply, ensuring suitability for potable water, non-contamination, and compliance with the performance requirements of NZ Building Code G12.

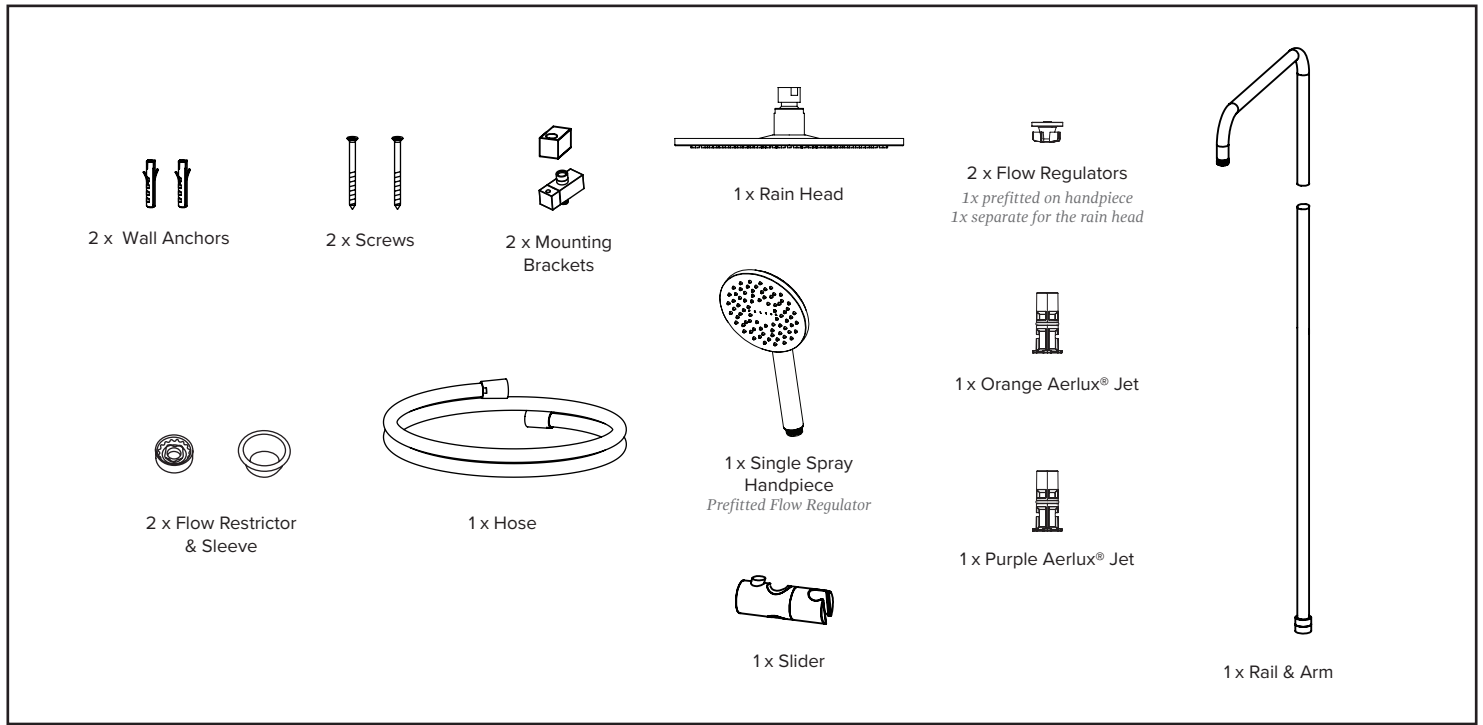
G12.3.7 (c) applies (flow rates)

All Felton products are designed, manufactured and inspected/tested, that are WaterMark certified, are subject to flow rates testing that is within the limitation set by the AS/NZS 3500 (NZBC) and the WELS regulations.

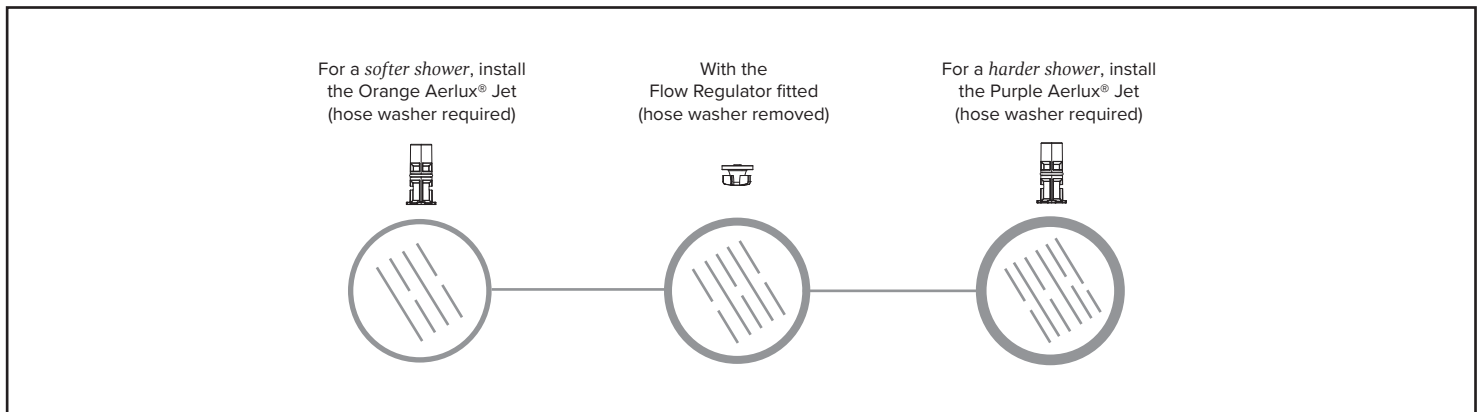
G12.3.10 applies (performance)

Felton water supply taps are designed to be accessible and operable, including for people with disabilities, when installed in accordance with Felton's instructions, supporting compliance with the accessibility requirements of the NZ Building Code.

WHAT IS IN THE PACK



CHOOSING THE AERLUX® JET



HOW TO INSTALL

1130mm

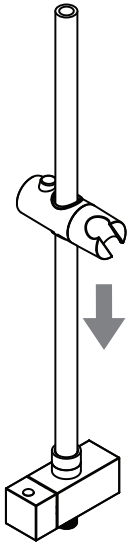
Before fitting, ensure that there is at least 1130mm from the top of the ceiling to the bottom mounting bracket (as this also acts as the plumbing inlet).

1.

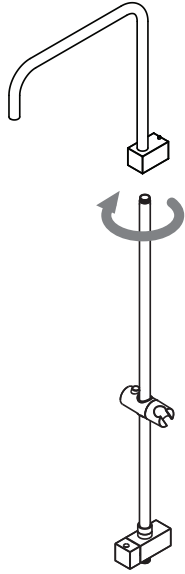
2. Assemble the top section by aligning the arm with the top mounting bracket. Once aligned tighten the screw to lock the bracket into place.

3. Fit the centre rail to the bottom bracket by un-screwing the thread and inserting the rail into the bottom bracket. Re-assemble the existing layout as shown and tighten to lock into place.

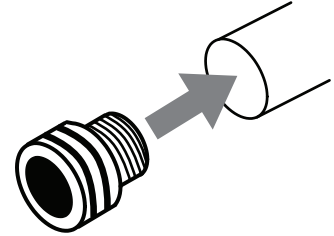
HOW TO INSTALL (CONTINUED)



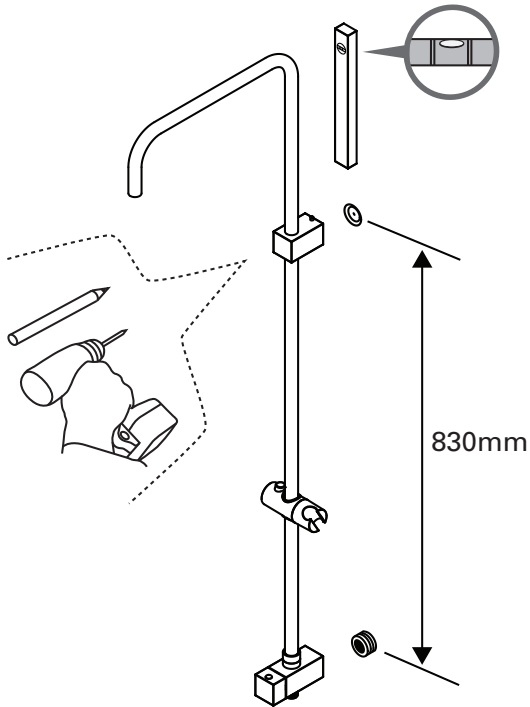
4. Fit the slider onto the rail, sliding down from the top of the rail as shown.



5. Take the completed bottom section and screw into the top mounting bracket as shown.



6. Screw the brass nipple into the wall wingback/outlet. Sealant required on thread to achieve a water tight seal. Flush out pipework.

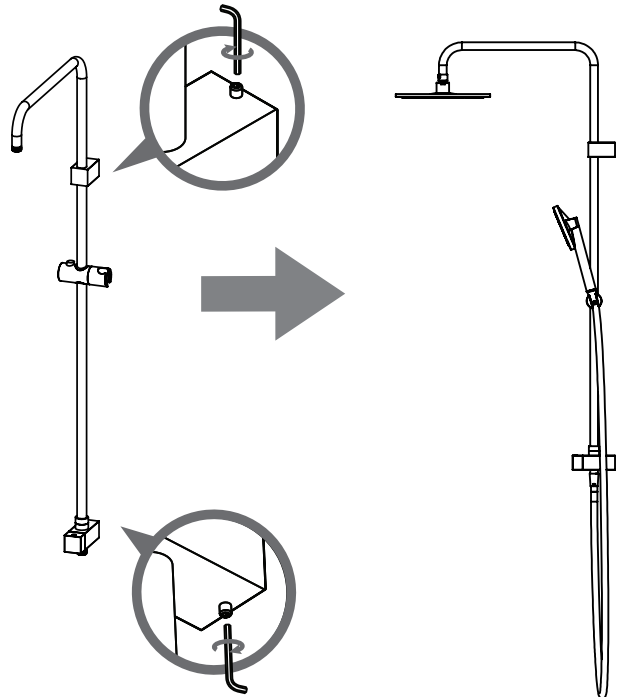


Measure 830mm from centre of the wingback to the centre of the top mounting bracket.

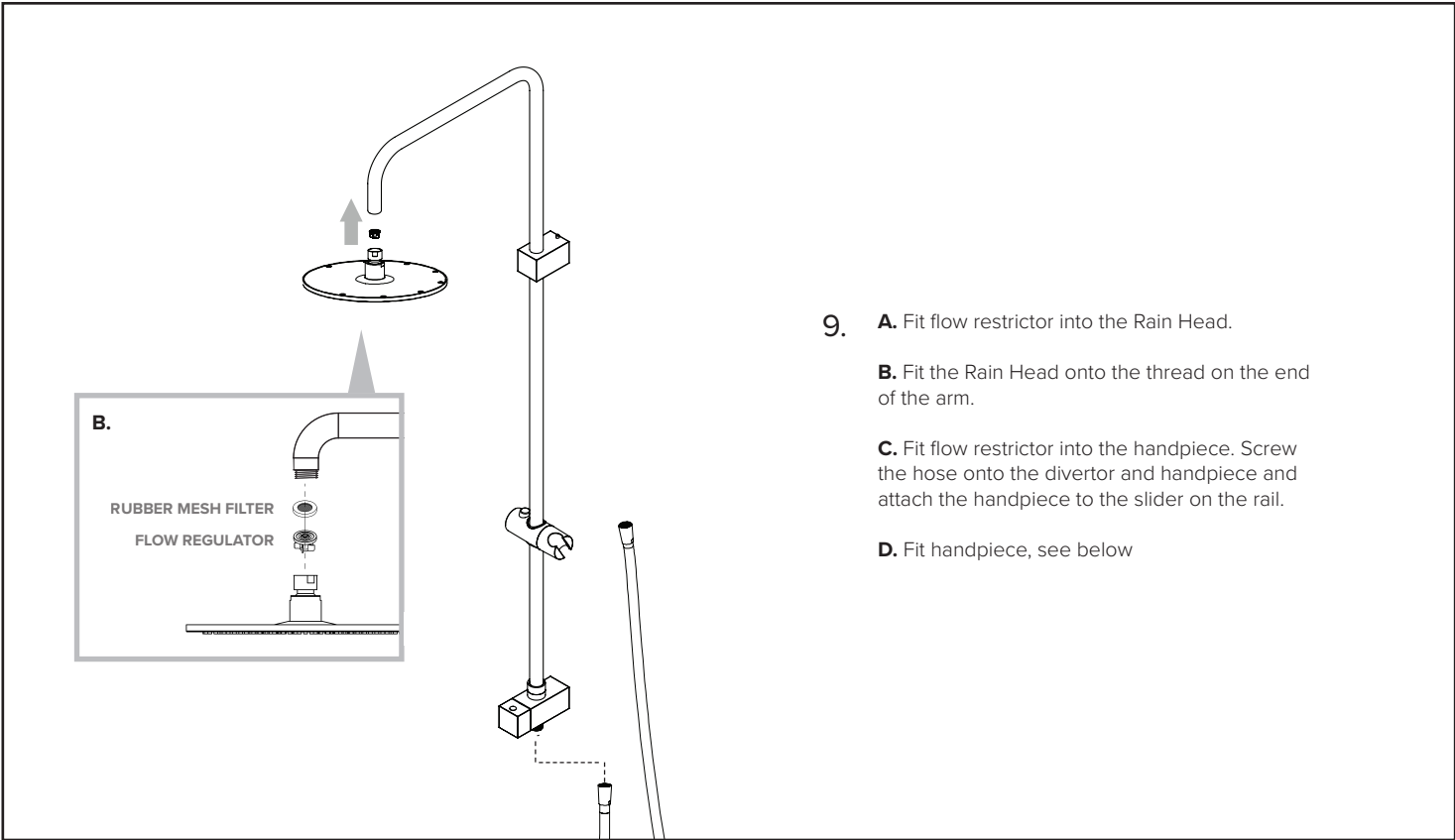
Using a level and the rail as a guide, mark and pre-drill top mounting bracket hole, and screw this into the wall. (Note - the concave side should be facing outwards from the wall).

(If installing into concrete, use toggles provided by pre-drilling both top and bottom mounting holes to 9.5mm diameter. Squeeze to close each toggle and push in until flush with the wall).

7.



8. Fit the entire assembly onto wall by tightening the grub screws on the bottom and top mounting bracket.



Fitting the Flow Regulator

1. Supply as is with the Flow Regulator prefitted and screw on the hose.

Fitting the Aerlux® Jet

1. Remove the prefitted Flow Regulator from the handpiece.

2. Select the Purple or Orange Aerlux® Jet and fit into the handpiece before screwing it onto the hose.

For technical assistance please ring
 NZ 0800 743 358 or (09) 528 0810 | AUS 1800 798 760