



Part one:

Select and fit the venturi jet into the Fusion Plus® shower mixer

Ben and Jen have unequal pressure.

The hot water pressure is 36kPa and the cold pressure is unknown.

FOLLOW THE GUIDE BELOW TO SELECT THE CORRECT VENTURI JET FOR THEIR PRESSURE SITUATION:



36kPa RED JET
Recommended for 36kPa hot water supply.

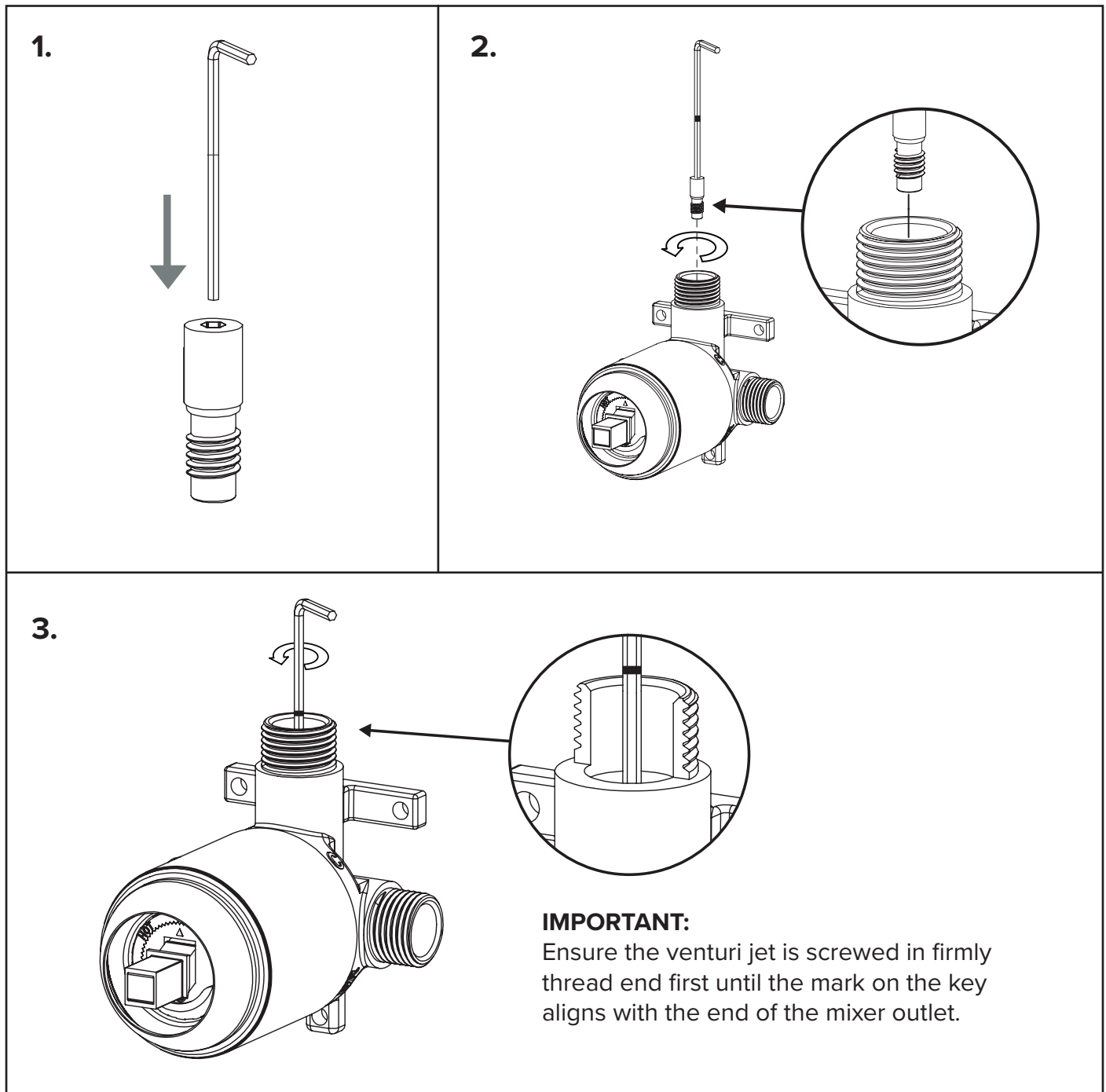


76kPa BLACK JET
Recommended for 76kPa or greater hot water supply.

HOT WATER PRES-SURE	COLD WATER PRES-SURE	RECOMMENDED	NOTES
Unknown	Unknown	36kPa RED venturi jet (small hole)	The 36kPa RED venturi jet provides the best temperature control with lower pressure hot water supplies.
36kPa hot water pressure	Any		
76kPa hot water pressure	Unknown	36kPa RED venturi jet (small hole)	
	Over 500kPa cold water pressure		
	150 - 500kPa cold water pressure	76kPa BLACK venturi jet (large hole)	The 76kPa BLACK venturi jet provides the best flow for higher pressure hot water supplies, but if it is difficult to control the temperature, we recommend to change to the 36kPa RED venturi jet (small hole).

INSTALLING THE VENTURI JET:

Using the allen key provided, screw the correct venturi jet into the inlet thread end.



Please note: Do not throw away the other venturi jet as this may be required at a later date and ask the homeowner to keep with the warranty information.

Part two:

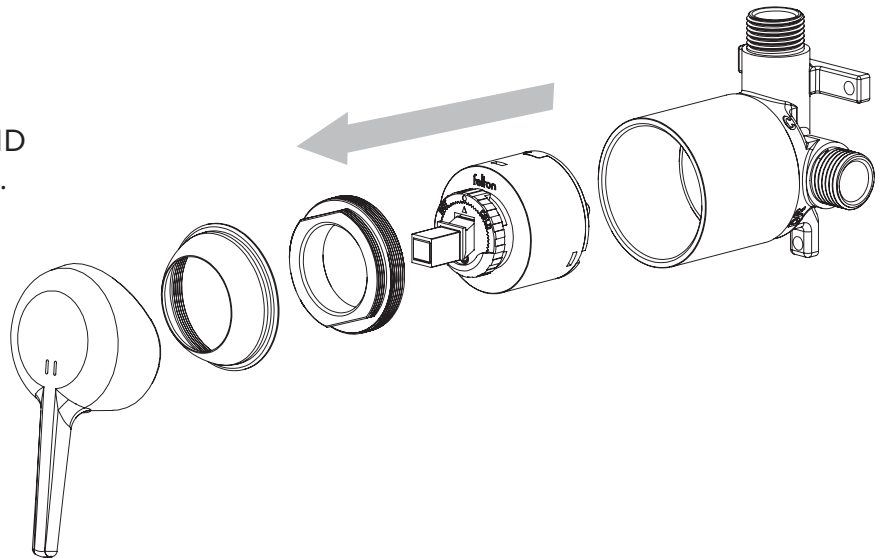
Perform service maintenance from front of wall

A year later, Ben and Jen experienced a drop in the water pressure with their handpiece.

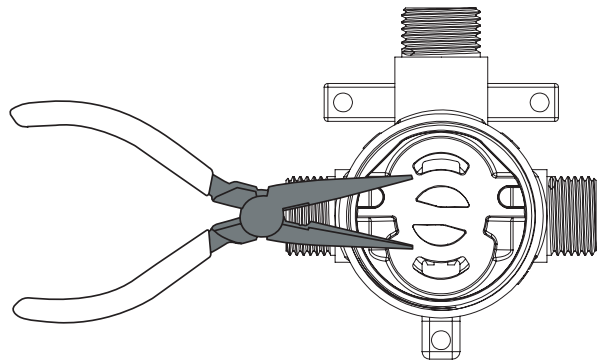


FOLLOW THE INSTRUCTIONS BELOW TO SERVICE THE FUSION PLUS® BY CLEANING OUT THE FILTER AND RE-INSTALLING ALL COMPONENTS:

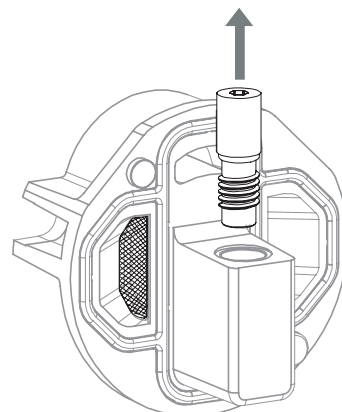
1. REMOVE THE HANDLE AND DISASSEMBLE THE MIXER.



2. REMOVE THE CARTRIDGE DISC USING LONG NOSED PLIERS.

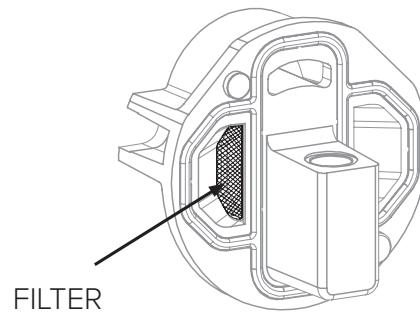


3. REMOVE THE VENTURI JET FROM THE CARTRIDGE DISC USING THE ALLEN KEY.

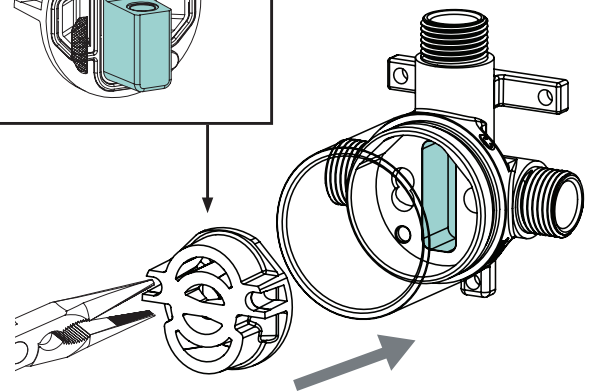
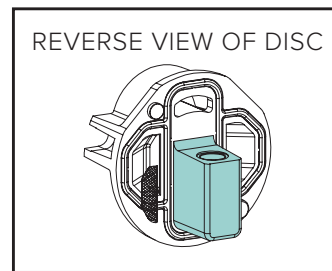


4. INSPECT THE MESH FILTER FOR DEBRIS.

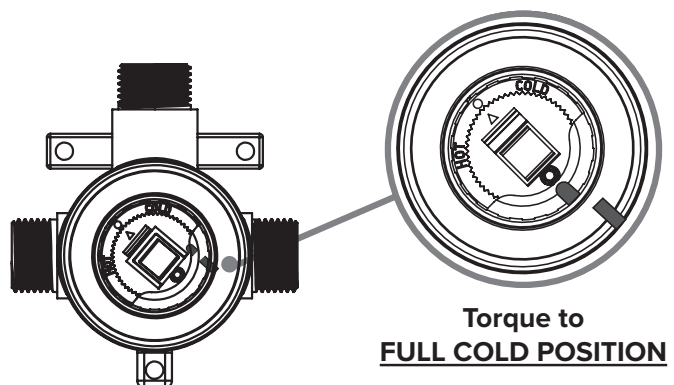
EITHER BLOW ON THE MESH OR TAP IT ON THE TABLE. ENSURE FILTER IS CLEAR FROM ANY DEBRIS.



5. REFIT THE SEAL AND DISC USING THE LONG NOSE PLIERS, ENSURING THAT THE LOCATING PINS GO INTO THE CORRESPONDING SOCKETS.



6. REASSEMBLE MIXER. ENSURE THAT BOTH BLACK LINES MARKED ON THE CARTRIDGE AND CARTRIDGE NUT ARE ALIGNED WHEN THE MIXER IS IN FULL COLD POSITION.



6. FIT THE HANDLE AND GRUB SCREW