

INSTALLATION GUIDE

FELTON

HALO RAIN SHOWER COLUMN HRSCC

SYSTEM REQUIREMENTS

To ensure the optimum performance and customer satisfaction please adhere to the following:

- Flush out all pipe work prior to installation.
- Maximum hot water temperature is 60°C. If the water temperature exceeds 60°C an approved tempering valve must be fitted.
- Installation should comply with relevant local authority requirements.
- In accordance with good plumbing practice, filters should be fitted to supply lines to eliminate damage to the ceramic cartridge from suspended solids.
- AS/NZS 3500.1 states that pressures above 500kPa can cause damage from water hammer, reduce the life of appliances, taps & fittings, cause excessive noise in the system and recommend that a pressure limiting valve (PLV) be fitted.

MAXIMUM STATIC PRESSURE

Maximum static pressure 500kPa. If water pressure exceeds or is likely to exceed 500kPa, an approved pressure limiting valve must be fitted.

MINIMUM STATIC PRESSURE

Minimum static pressure 150kPa. To ensure optimal performance the static pressure must be greater or equal to 150kPa.



Failure to comply with the above will void warranties.

WHAT IS IN THE PACK



2 x Wall Anchors



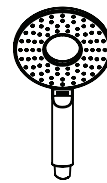
2 x Screws



2 x Mounting Brackets



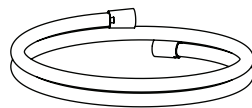
1 x Rain Head



1 x Single Spray Handpiece



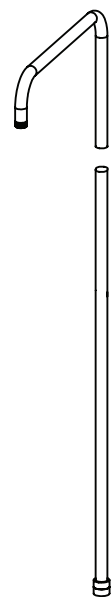
2 x Flow Restrictor & Sleeve



1 x Hose


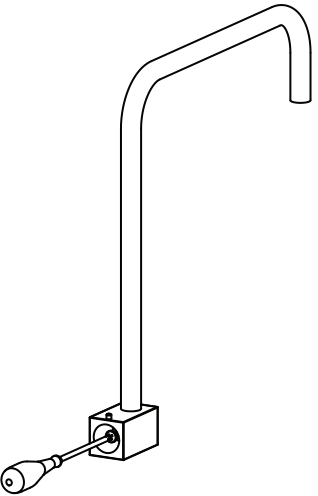
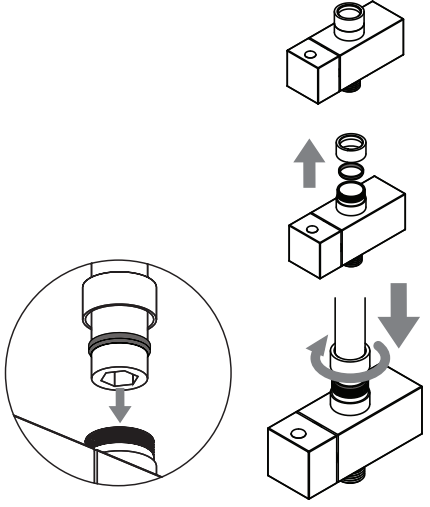
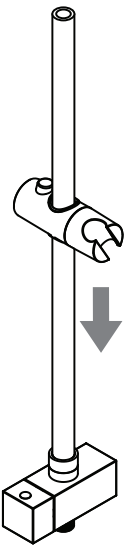
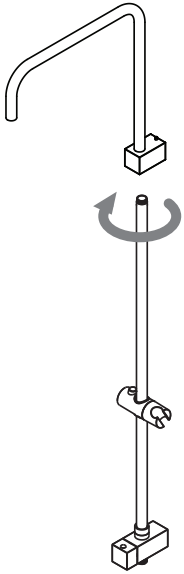
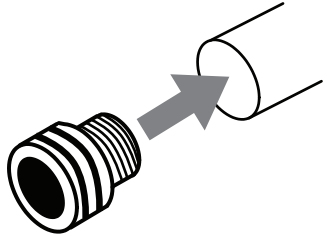


1 x Slider



1 x Rail & Arm

HOW TO INSTALL

 <p>1130mm</p> <p>Before fitting, ensure that there is at least 1130mm from the top of the ceiling to the bottom mounting bracket (as this also acts as the plumbing inlet).</p> <p>1.</p>	 <p>Assemble the top section by aligning the arm with the top mounting bracket. Once aligned tighten the screw to lock the bracket into place.</p> <p>2.</p>	 <p>Fit the centre rail to the bottom bracket by un-screwing the thread and inserting the rail into the bottom bracket. Re-assemble the existing layout as shown and tighten to lock into place.</p> <p>3.</p>
 <p>Fit the slider onto the rail, sliding down from the top of the rail as shown.</p> <p>4.</p>	 <p>Take the completed bottom section and screw into the top mounting bracket as shown.</p> <p>5.</p>	 <p>Screw the brass nipple into the wall wingback/ outlet. Sealant required on thread to achieve a water tight seal. Flush out pipework.</p> <p>6.</p>

Measure 830mm from centre of the wingback to the centre of the top mounting bracket.

Using a level and the rail as a guide, mark and pre-drill top mounting bracket hole, and screw this into the wall.
(Note - the concave side should be facing outwards from the wall).

(If installing into concrete, use toggles provided by pre-drilling both top and bottom mounting holes to 9.5mm diameter. Squeeze to close each toggle and push in until flush with the wall).

7.

Fit the entire assembly onto wall by tightening the grub screws on the bottom and top mounting bracket.


Fit flow restrictor into the handpiece. Screw the hose onto the diverter and handpiece and attach the handpiece to the slider on the rail.

Fit flow restrictor into the Rain Head.

8. Fit the Rain Head onto the thread on the end of the arm.

Warranty, Maintenance and Care YOUR COPY TO KEEP

Felton Industries Limited guarantees these mixers to be free from defects in materials and workmanship for a period of five (5) years from the date of purchase. Fair wear and tear is expressly excluded. This warranty is effective for 5 years from the date of purchase for the supply of replacement parts only, not including installation. You must retain proof of purchase of the Mixer (such as an invoice or receipt) and provide this to Felton on request. This warranty is for manufacturing defects only and does not cover any damage to the product due to abuse, negligence or improper installation. This warranty is given on the understanding that the product is installed and operated according to Felton's installation guide and the Australian/New Zealand standard AS/NZS3500. This warranty is provided to persons who are a "consumer" under the Consumer Guarantees Act 1993 only and for use in domestic/residential dwellings only (not for commercial use).

 At no stage should any surface coatings be cleaned with cleaning agents that contain a corrosive acid or a scouring additive. Surface coatings should be cleaned with liquid detergent or soap and water. Any damage caused through the use of an unsuitable cleaner will not be covered by this warranty. This warranty is subject to any other rights or remedies that you may have under the Consumer Guarantees Act 1993 (or any other applicable legislation) and to Felton's Terms of Trade.

Please fill in the details below, attach your receipt to this installation guide and keep as your proof of purchase.

Purchased at:

Date of purchase:

Installed by:

For technical assistance please ring: 0800 743 358 or (09) 528 0810