

INSTALLATION GUIDE

FELTON

AXISS RAIN SHOWER COLUMN AXRSCC

SYSTEM REQUIREMENTS

To ensure the optimum performance and customer satisfaction please adhere to the following:

- Flush out all pipe work prior to installation.
- Maximum hot water temperature is 60°C. If the water temperature exceeds 60°C an approved tempering valve must be fitted.
- Installation should comply with relevant local authority requirements.
- In accordance with good plumbing practice, filters should be fitted to supply lines to eliminate damage to the ceramic cartridge from suspended solids.
- AS/NZS 3500.1 states that pressures above 500kPa can cause damage from water hammer, reduce the life of appliances, taps & fittings, cause excessive noise in the system and recommend that a pressure limiting valve (PLV) be fitted.

MAXIMUM STATIC PRESSURE

Maximum static pressure 500kPa. If water pressure exceeds or is likely to exceed 500kPa, an approved pressure limiting valve must be fitted.

MINIMUM STATIC PRESSURE

Minimum static pressure 150kPa. To ensure optimal performance the static pressure must be greater or equal to 150kPa.



Failure to comply with the above will void warranties.

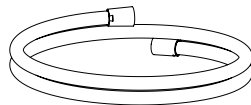
WHAT IS IN THE PACK



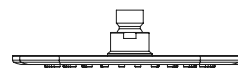
2 x Wall Anchors



2 x Screws



1 x Hose



1 x Rain Head



2 x Flow Restrictor & Sleeve



Chrome Flange (Diverter Valve)



1 x Chrome Flange (Bottom)



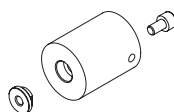
1 x Single Spray Handpiece



1 x Slider



1 x Hose Adaptor



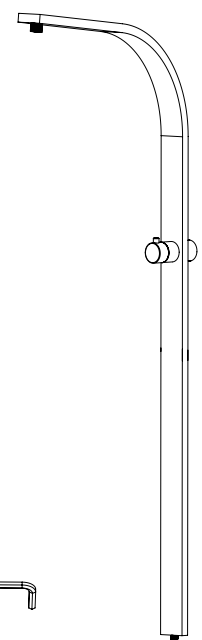
1 x Bottom Mount & Fittings



1 x 5mm Allen Key

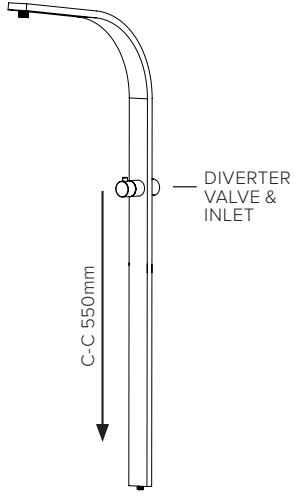
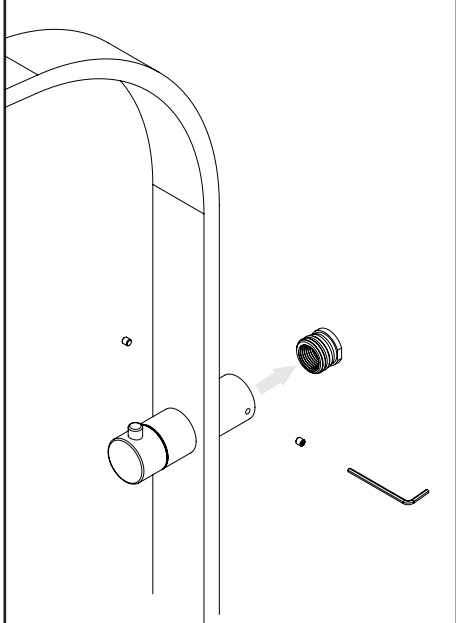
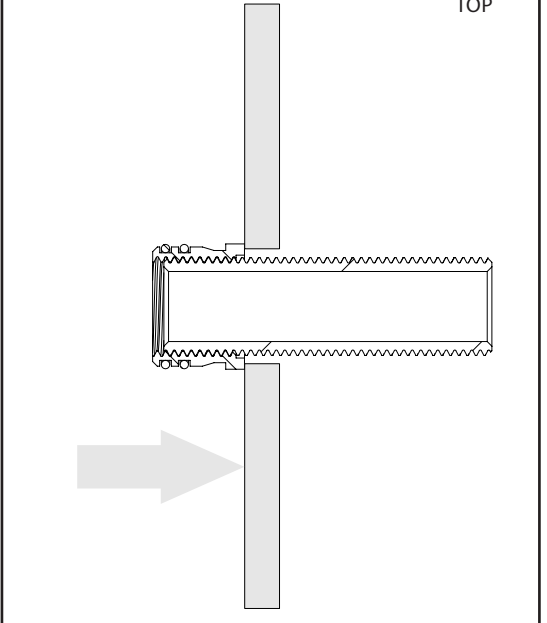
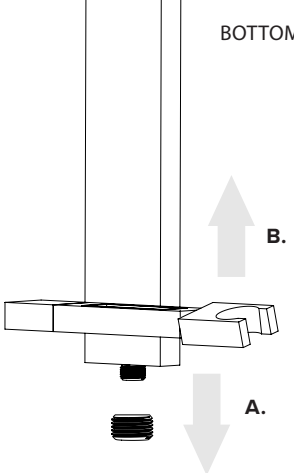
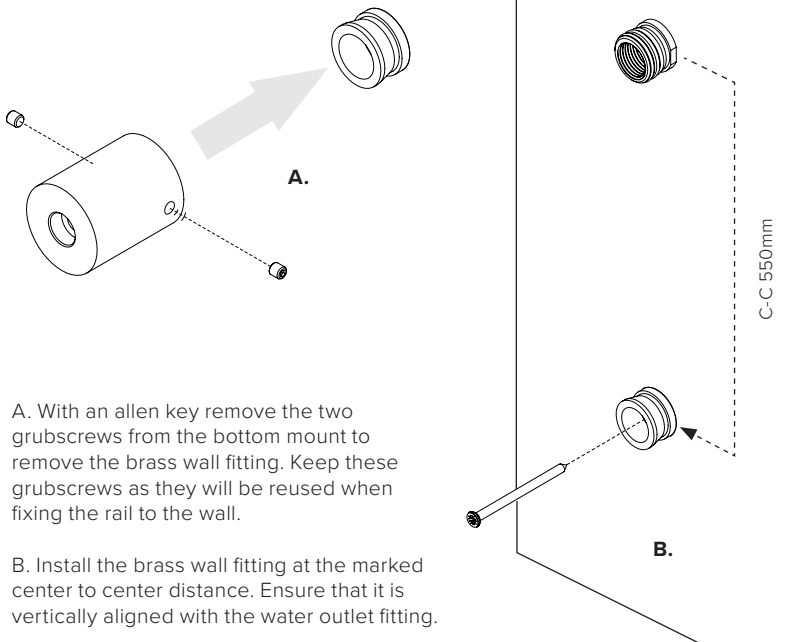
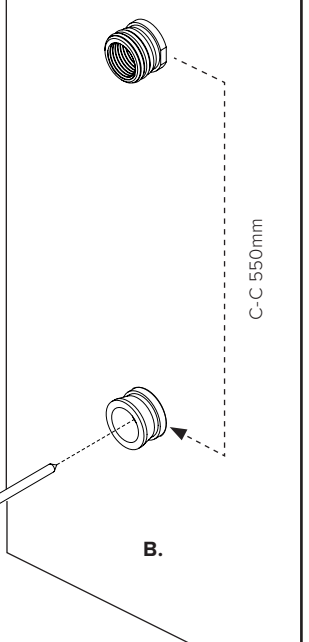
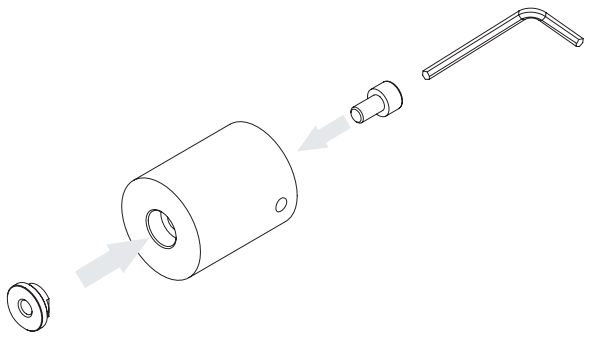
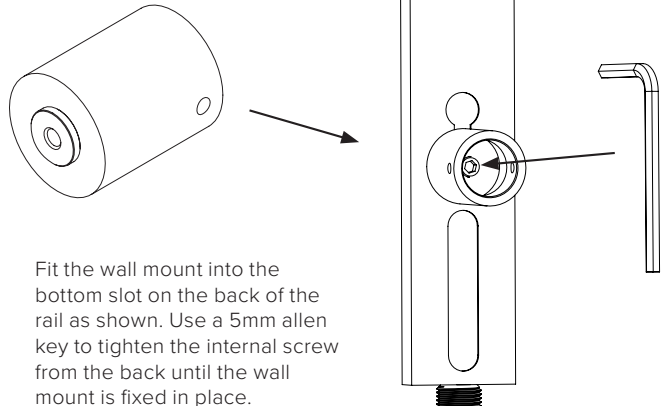
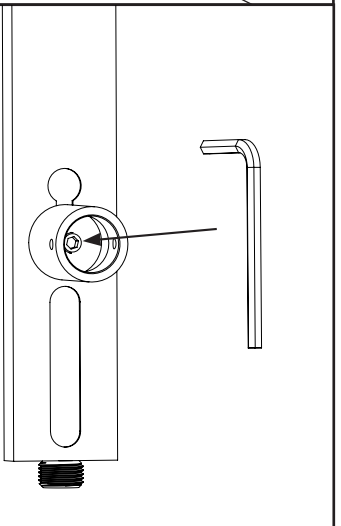


1 x 2.5mm Allen Key



1 x Rail

HOW TO INSTALL

 <p>Mark down vertical of 550mm from centre of water outlet to bottom wall fixing position.</p> <p>Warning: Ensure no water pipe or power cable in wall at this location.</p> <p>1.</p>	 <p>2. Loosen grub screws on body of diverter valve and remove the brass easy fit.</p>	 <p>3. Screw the top easy fit onto water outlet till it is flush against the wall face.</p>
 <p>4.</p> <p>A. Unscrew hose adaptor from bottom of the column.</p> <p>B. Fit slider ensuring the grub screws are facing towards the ground. Secure hose adaptor back onto column.</p> <p>Note: Slider can be installed left or right handed</p>	 <p>5.</p> <p>A. With an allen key remove the two grub screws from the bottom mount to remove the brass wall fitting. Keep these grub screws as they will be reused when fixing the rail to the wall.</p> <p>B. Install the brass wall fitting at the marked center to center distance. Ensure that it is vertically aligned with the water outlet fitting.</p>	
 <p>6. From the supplied pack, loosely fit the brass fitting and hex bolt into the wall mount as shown.</p>	 <p>7. Fit the wall mount into the bottom slot on the back of the rail as shown. Use a 5mm allen key to tighten the internal screw from the back until the wall mount is fixed in place.</p>	

8. Fit both flanges onto the top and bottom wall mount. Ensure that the grubscrews are still accessible.

9. The column top mount should sit flush with the easy fit adaptor. Push the assembly onto the wall fitting and tighten all grubscrew with an allen key. Once fixed, push the flanges so that they are flush against the wall.


10. Check flow restrictor is fitted into the handpiece. Screw the hose onto the diverter and handpiece and attach the handpiece to the slider on the rail.

Check the flow restrictor is fitted underneath the mesh washer in the rain head. Fit the rain head onto the thread on the end of the arm. Turn on water and check for leaks.

RUBBER MESH FILTER
FLOW RESTRICTOR
RESTRICTOR SLEEVE

Warranty, Maintenance and Care YOUR COPY TO KEEP

Felton Industries Limited guarantees these mixers to be free from defects in materials and workmanship for a period of five (5) years from the date of purchase. Fair wear and tear is expressly excluded. This warranty is effective for 5 years from the date of purchase for the supply of replacement parts only, not including installation. You must retain proof of purchase of the Mixer (such as an invoice or receipt) and provide this to Felton on request. This warranty is for manufacturing defects only and does not cover any damage to the product due to abuse, negligence or improper installation. This warranty is given on the understanding that the product is installed and operated according to Felton's installation guide and the Australian/New Zealand standard AS/NZS3500. This warranty is provided to persons who are a "consumer" under the Consumer Guarantees Act 1993 only and for use in domestic/residential dwellings only (not for commercial use).

 At no stage should any surface coatings be cleaned with cleaning agents that contain a corrosive acid or a scouring additive. Surface coatings should be cleaned with liquid detergent or soap and water. Any damage caused through the use of an unsuitable cleaner will not be covered by this warranty. This warranty is subject to any other rights or remedies that you may have under the Consumer Guarantees Act 1993 (or any other applicable legislation) and to Felton's Terms of Trade.

Please fill in the details below, attach your receipt to this installation guide and keep as your proof of purchase.

Purchased at:

Date of purchase:

Installed by:

For technical assistance please ring: 0800 743 358 or (09) 528 0810