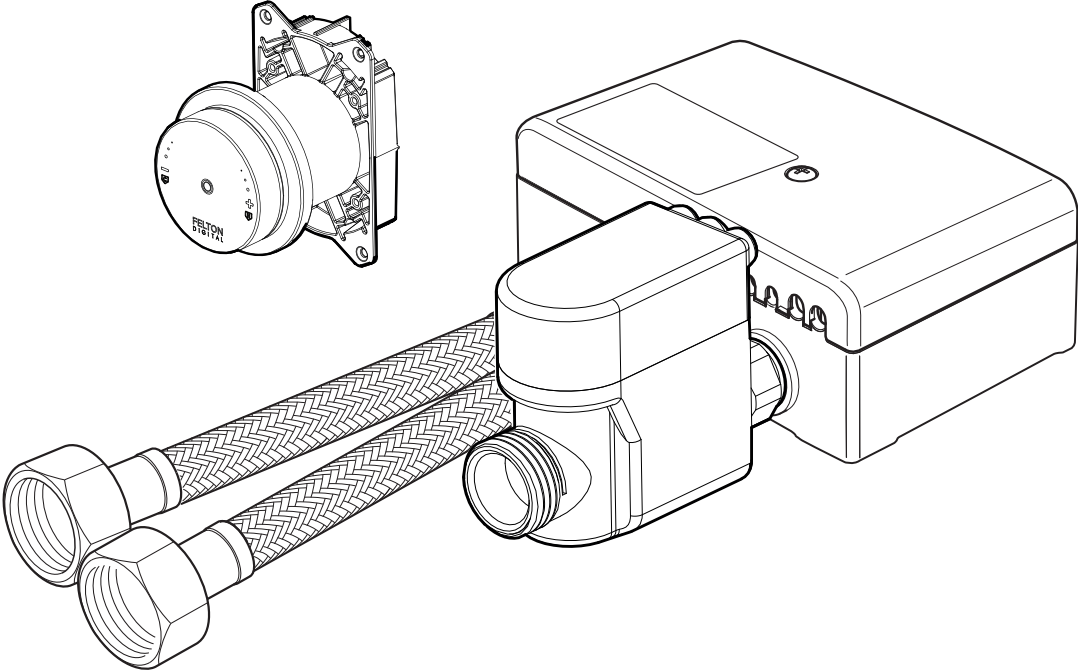


INSTALLATION GUIDE

AXISS

Digital Smartflow® Thermostatic Shower Mixer

FD-SFCSMC



FELTON

CONTENT

Notice	4
Tools Required	4
Measurements	5
Scope of Application	6
Control Unit Pre-Line Installation	7
Digital Mixer Installation	8
Connecting the Flow Controller	11
Control Housing Final Fit Installation	12
Operational test	17
Troubleshooting	18
Warranty	19

NOTICE

PLEASE READ THE MANUAL CAREFULLY BEFORE STARTING THE INSTALLATION. AFTER COMMISSIONING AND TESTING THE SYSTEMS FUNCTIONALITY, THIS DOCUMENT MUST BE GIVEN TO THE END USER OF THE SYSTEM.

PRODUCT TO BE DISCONNECTED BEFORE LINE TEST

In case of a power cut, the unit will remain inactive until the power is back on.

GENERAL

This installation manual contains instructions for the correct installation of the **Axiss Smartflow** product. The warranty will be invalidated if the product is not installed according to these instructions.

Installation must be carried out by qualified installers in accordance to this installation manual. Country-specific standards, rules and safety regulation do apply.

PLACE OF INSTALLATION

The **Axiss Smartflow** product must be installed in an accessible place and in accordance to this installation manual. This ensures a problem-free service and maintenance procedure.



DANGER OF ELECTRIC SHOCK! **ELECTRICAL INSTALLATION**

Before opening the housing, the mains connection must be switched off. Work on electrical parts and connections must be carried out by qualified electrician. Country-specific standards and regulations do apply.

PRECAUTIONS

1. This appliance is not intended for use by persons (including children) with reduced physical, sensory or mental capabilities, or lack of experience and knowledge, unless they have been given supervision or instruction concerning use of the appliance by a person responsible for their safety.
2. Children should be supervised to ensure that they do not play with the appliance.
3. If the supply cord is damaged, it must be replaced by the manufacturer, its service agent or similarly qualified persons in order to avoid a hazard.
4. This appliance contains battery that are only replaceable by skilled persons.
5. An electronic copy of the installation and user guides are available on the Felton website – please visit www.felton.co.nz

MAINTENANCE

Felton products are made of high quality materials and require only minimal maintenance. The following maintenance tips help to preserve the surface and prevent damage through incorrect cleaning. Fittings and control parts should be wiped dry after used. Only use mild cleaning products that contain soap. The following must not be used: Scourers, abrasive sponges, hydrochloric acid, lime, plaster or cement removers, solutions or cleaning agents containing acid (pH≤4), lime scale remover or vinegar-based cleaner – and cleaning agents where the chemical solution is not known which may be sold as special cleaner for fittings.

WATER PATH

Input	2×M10 × 1
Output	1/2" BSP
Flow	max. 22 l/min at 300kPa
Pressure range	Min 150kPa - Max 500kPa
Difference of pressure	Max. 100kPa/14.5psi
Maximum outlet temperature	45°C
Hot inlet temp range	55°C - 80°C
Cold inlet temp range	5°C - 25°C

ELECTRONICS

Power supply	100V-240V AC/50-60Hz
Power consumption	Standby < 0.5W, max. 18W

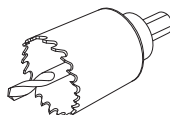
TOOLS REQUIRED



1. Pencil



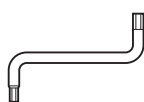
2. Drill bit ø5mm



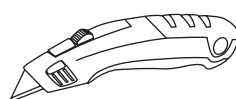
5. ø70mm hole saw



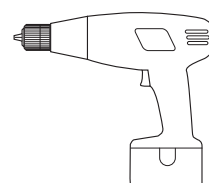
3. Crosshead screwdriver



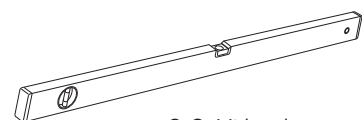
4. Torx screwdriver
(included in box 1)



6. Utility knife

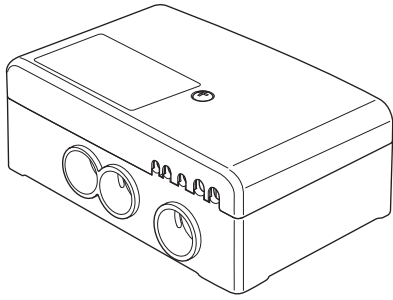


7. Drill

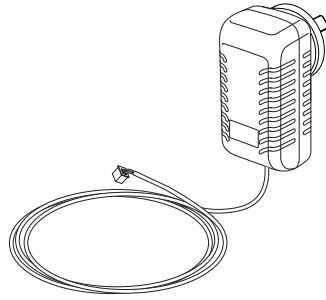


8. Spirit level

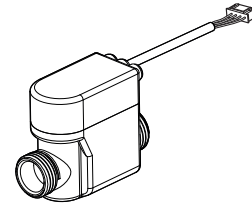
BOX 1 DIGITAL MIXER



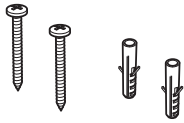
1. Temperature Control Unit



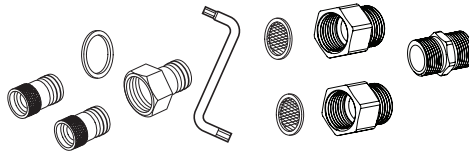
2. 12V AC Adapter (Cable length: 1m)



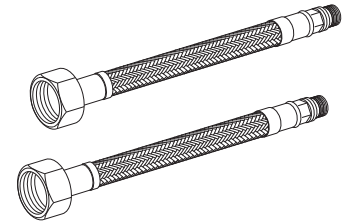
3. Flow Control Unit



4. Set of Screws: 2x 5x50mm

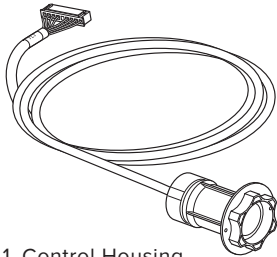


5. Adapter Set

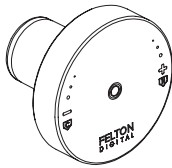


6. 2x Inlet hoses (supplied)

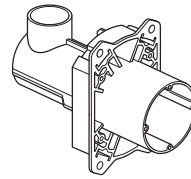
BOX 2 CONTROL UNIT



1. Control Housing & Data Control Cable



2. Control Wheel



3. Control Mounting Tube



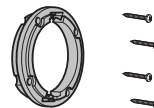
4. Set of Screws: 6x 2.5x16mm



5. Black Foam Seal



6. Chrome Flange

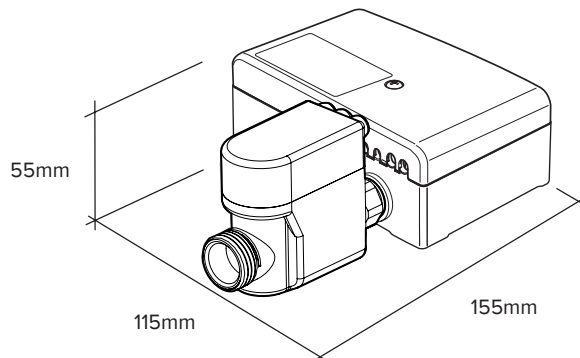


7. Mounting Ring



8. White Foam Seal

MEASUREMENTS



SCOPE OF APPLICATION



Wire and Data Cable must be installed prior to the wall lining.

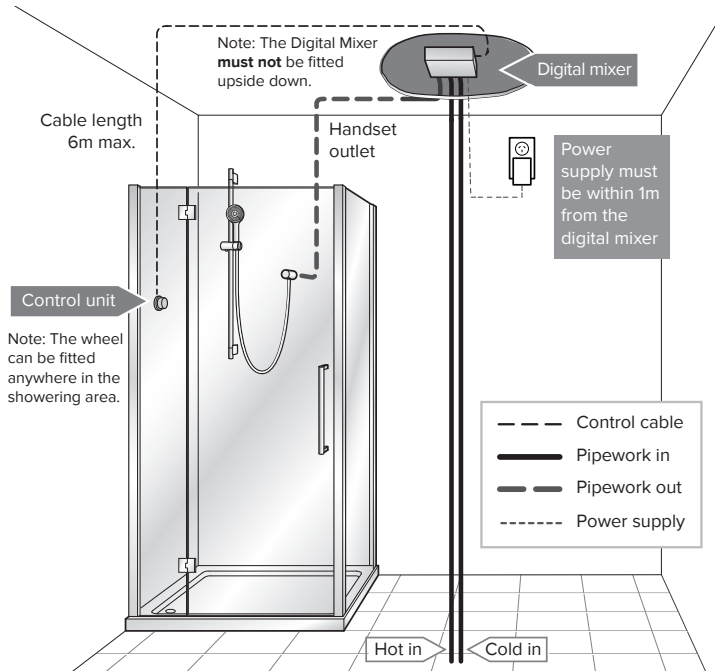
It is recommended that the data cable is installed in conduit for ease of maintenance.

Important: The Digital Mixer must [have an access panel](#) and should [not be sealed in the wall](#)

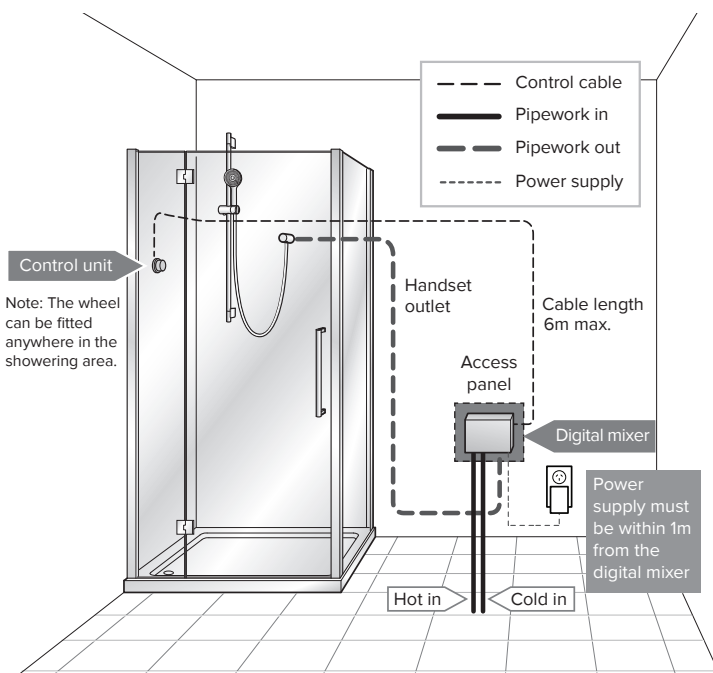
Warning: Please ensure that all electrical installations are installed by a registered electrician and complies with the Electrical (Safety) Regulations of NZ.

Important: The Digital Mixer must have an access panel.

A Ceiling Mounted Shower handset (Recommended)



B Wall Mounted Shower handset



Important: The TLC Temp Flow [must be accessible](#) and should [not be sealed in the wall](#)

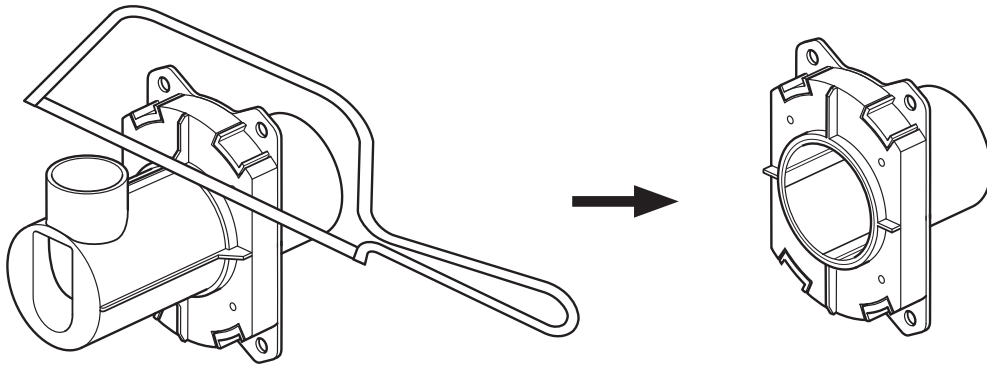
Warning

Please make sure the power source is installed by a qualified electrician and complies to Electrical standard/NZ laws. **Important:** The TLC Temp Flow must have an access panel.

CONTROL UNIT PRE-LINE INSTALLATION

1 Cutting down the Control Housing (OPTIONAL)

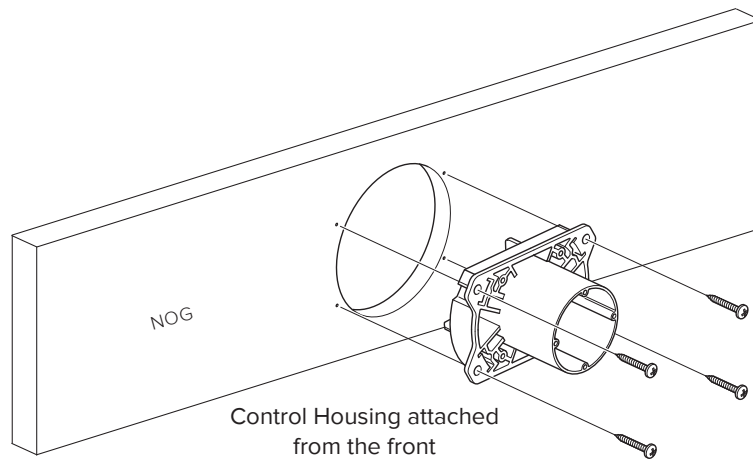
NOTE: We recommend the Control Housing is cut down as shown using a hacksaw



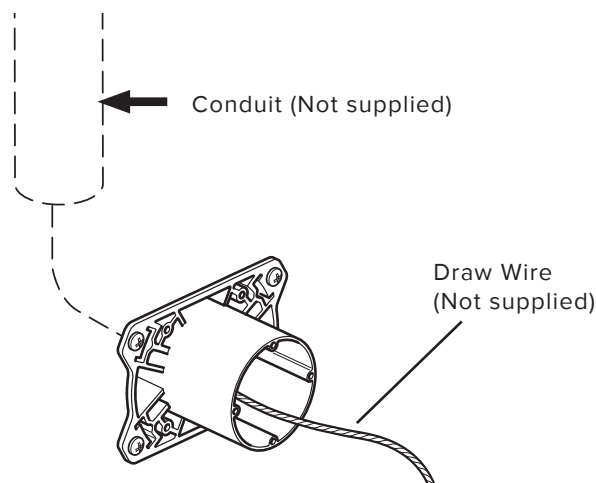
2 Attaching the Control Housing

Prepare the wall to take the Control Housing. The installation of the Control Housing will depend on each individual situation.

Control Housing is attached from the front: a 70mm diameter hole is required in a fixing nog flush with face of the timber framing. Conduits should be used in the walls where necessary to protect the cables and allow maintenance. Attach the Control Housing using the screws supplied.

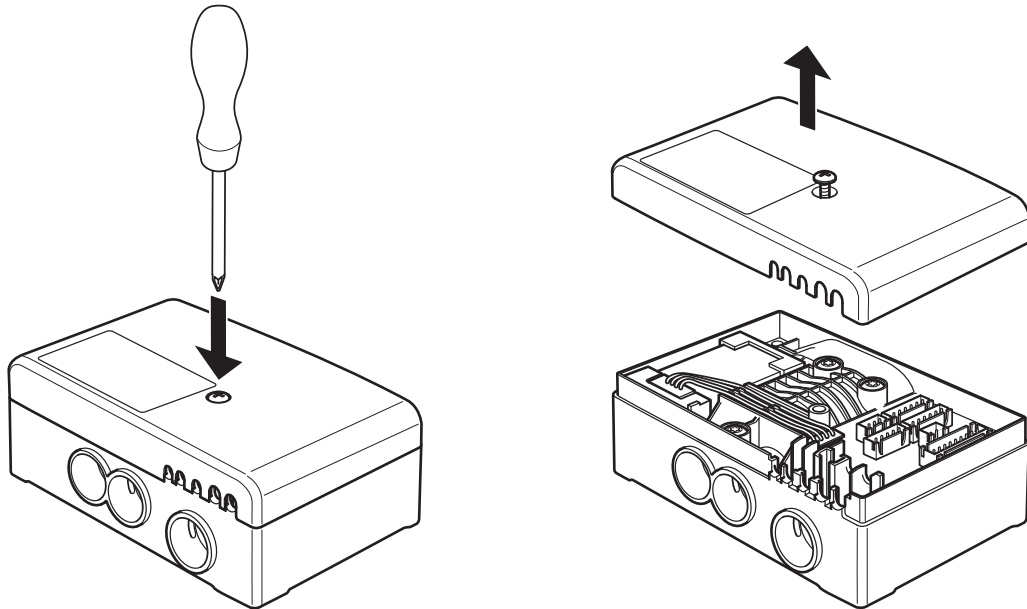


3 Draw wire through the Control Housing

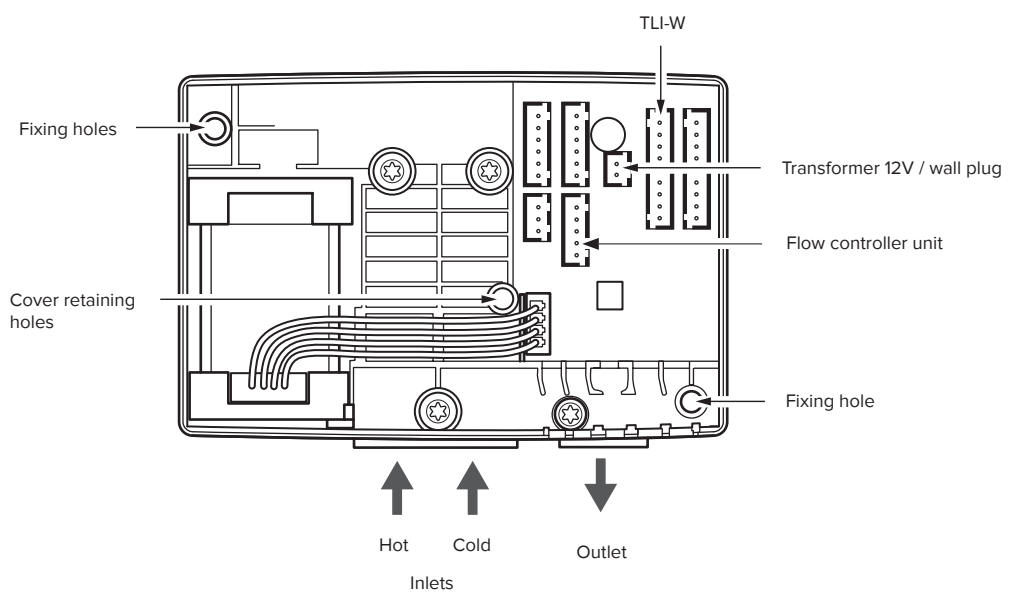


DIGITAL MIXER INSTALLATION

4 Remove the cover



5 Inside the Temperature Control Unit



MOUNTING OPTIONS

Refer to Scope of Application on p6 for the plumbing layout

MOUNTING FOR NOG

1 Mark fixing holes

* If installed vertically, use orientation shown

2 Install the Digital Mixer

MOUNTING FOR CONCRETE

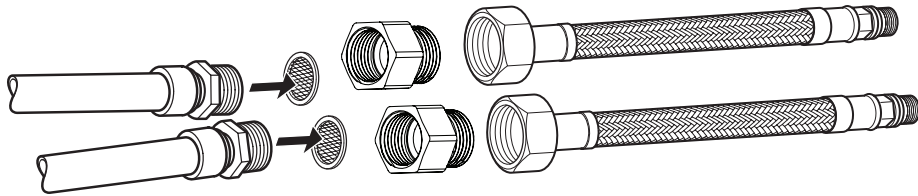
1 Mark fixing holes

* If installed vertically, use orientation shown

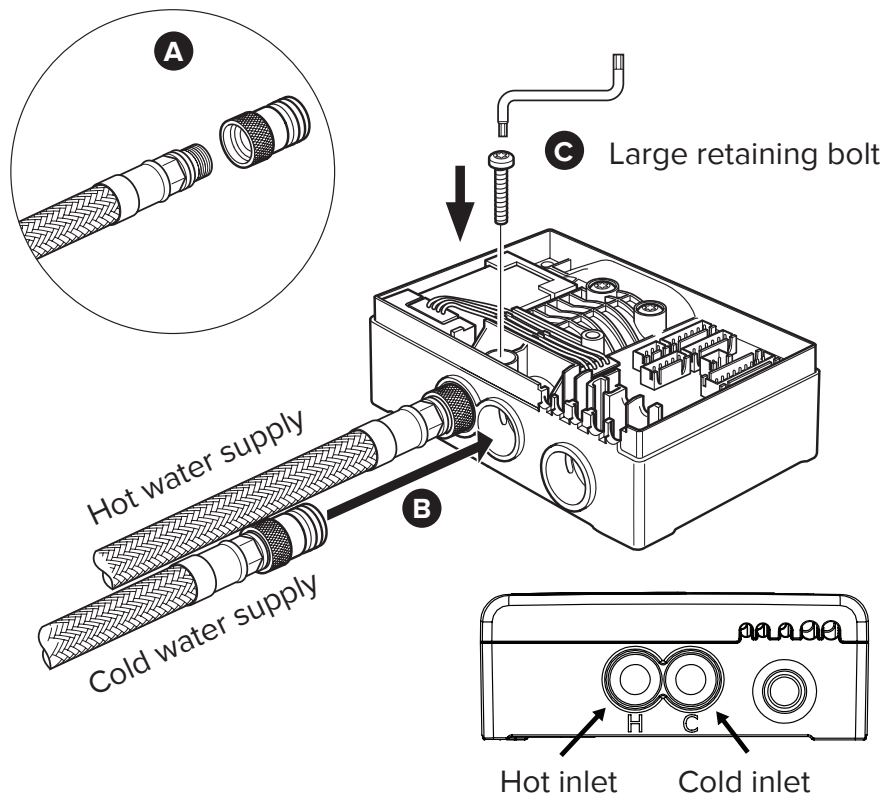
2 Drill fixing holes

3 Install the Digital Mixer

6. Connect the two Inlet hoses with the MF adaptors and filters to the water supply feed



7.



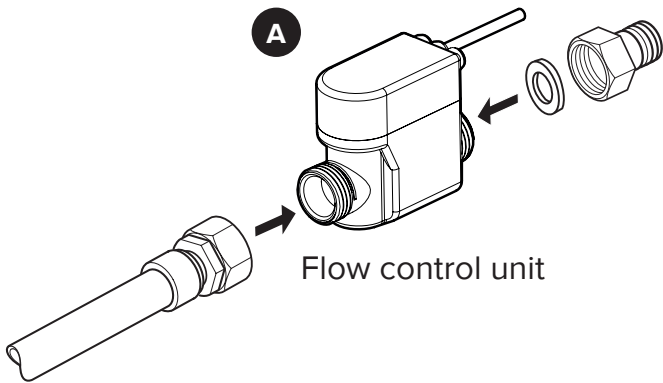
A - Connect the brass adaptors into the flexi hoses.

B - Fit both flexi hoses (with the brass adaptor on) firmly into the unit box.

C - Fit the large retaining bolt with a torx screw driver supplied.

CONNECTING THE FLOW CONTROLLER

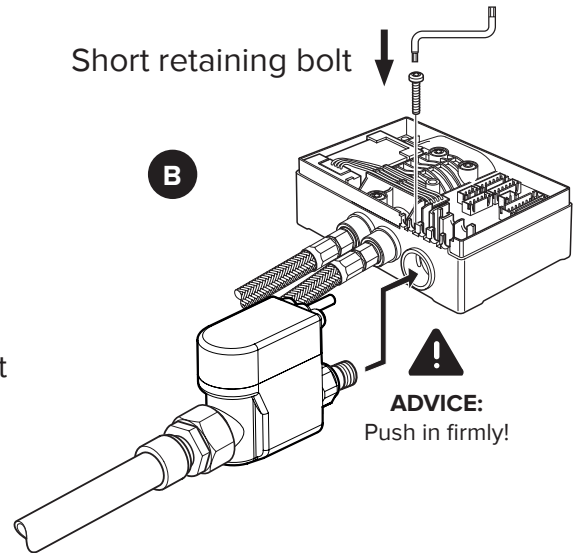
8



Flow control unit

B. Push a Flow control unit with outlet fitting back into the Digital Mixer and fit the short retaining bolt with torx screw driver supplied.

A. Fit the outlet pipe and the brass connector onto the Flow control unit.



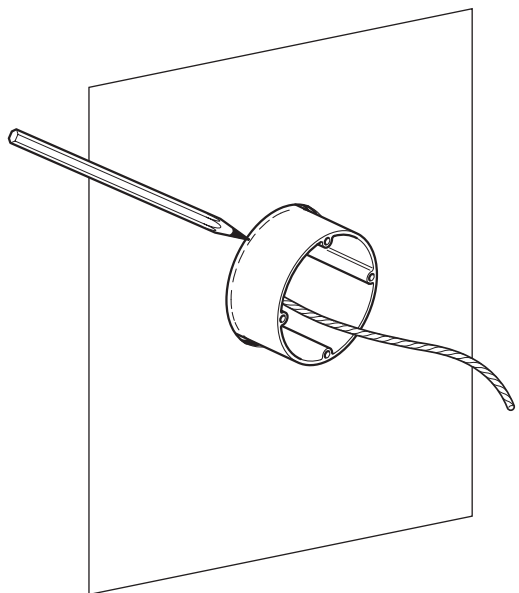
Short retaining bolt

ADVICE:
Push in firmly!

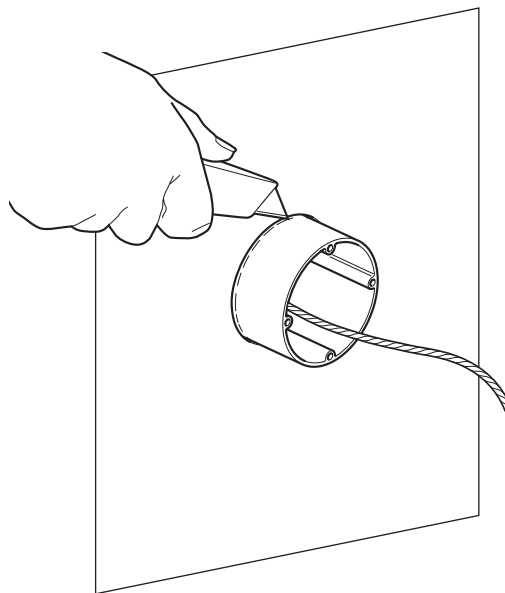
CONTROL HOUSING FINAL FIT INSTALLATION

9 Fit off - after final wall lining is installed

Draw a line around the collar, **flush** with the wall. Cut down the collar as marked.



Final wall lining

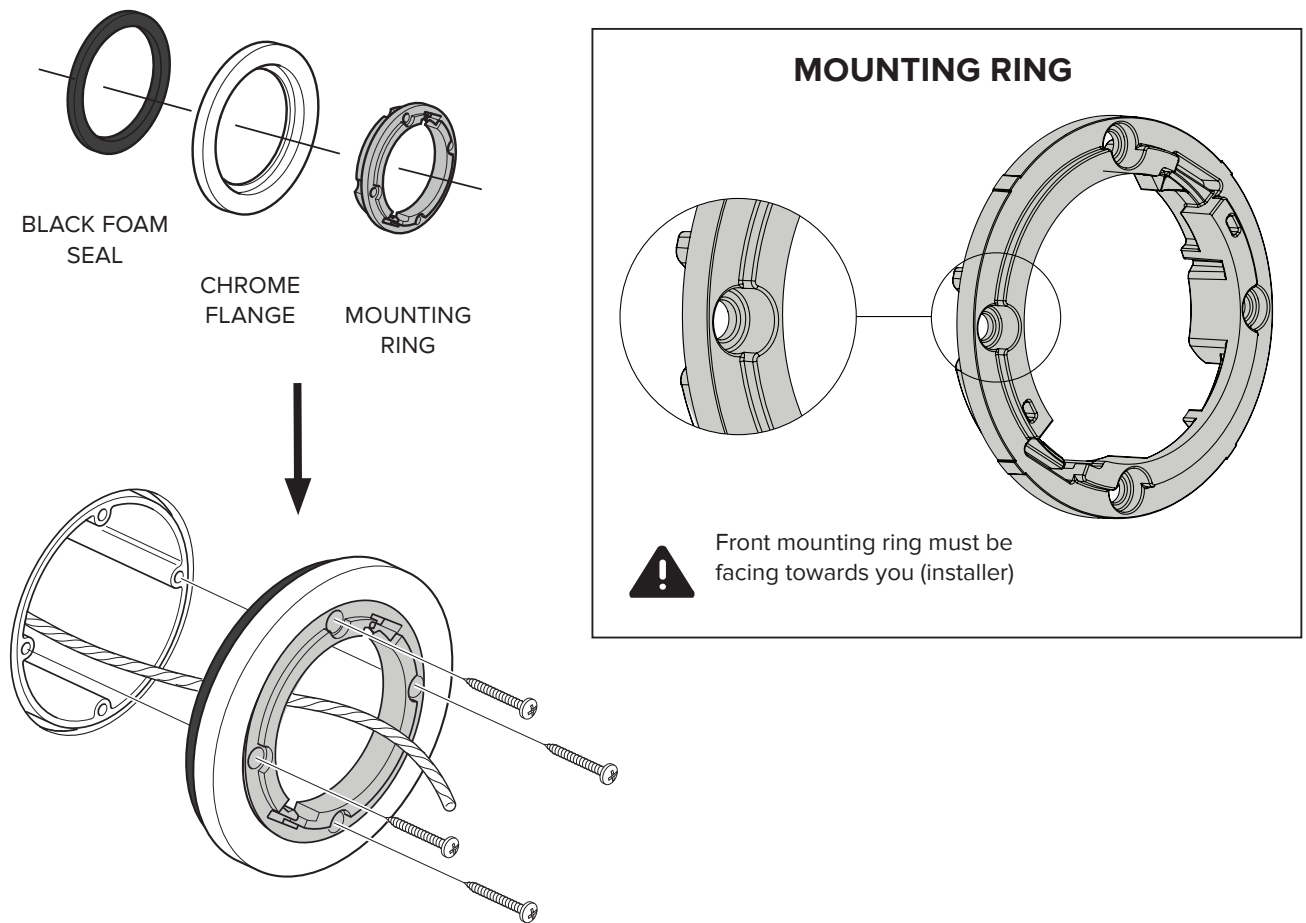


Final wall lining

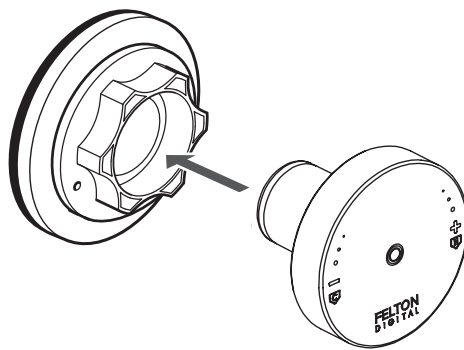
10 Assemble/attach the chrome flange

Attach the back plate/adaptor ring to the Control Housing using the 15mm screws supplied.

Note: The black adaptor ring must be **flush** with the brass back plate.



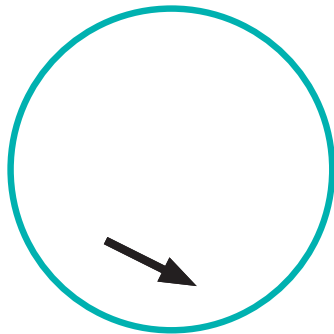
11 Remove the Control Wheel



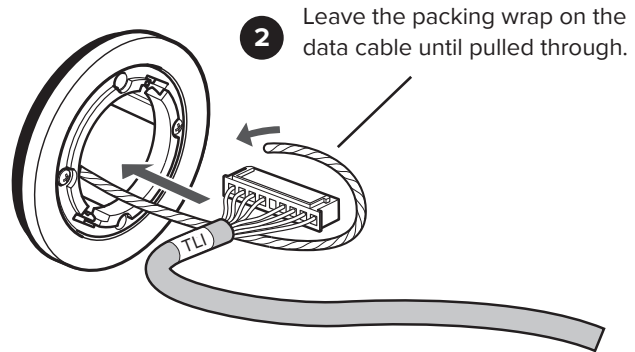
12 Feed Control Housing & Data Control Cable through to the chrome flange assembly

First feed the Data Control Cable through the white foam seal onto the Control Housing.
Feed the cable through the chrome flange assembly.

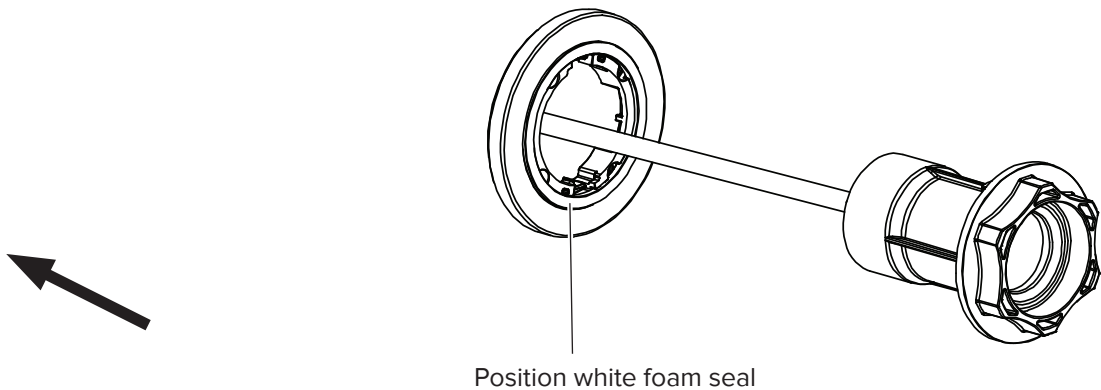
Note: Attaching a length of string or wire to the Control Data Cable will make it easier to pull the cable through to the Digital Mixer.



- 1 Fit white foam seal through cable to end of interface wheel.
Note: Do not stretch white foam seal

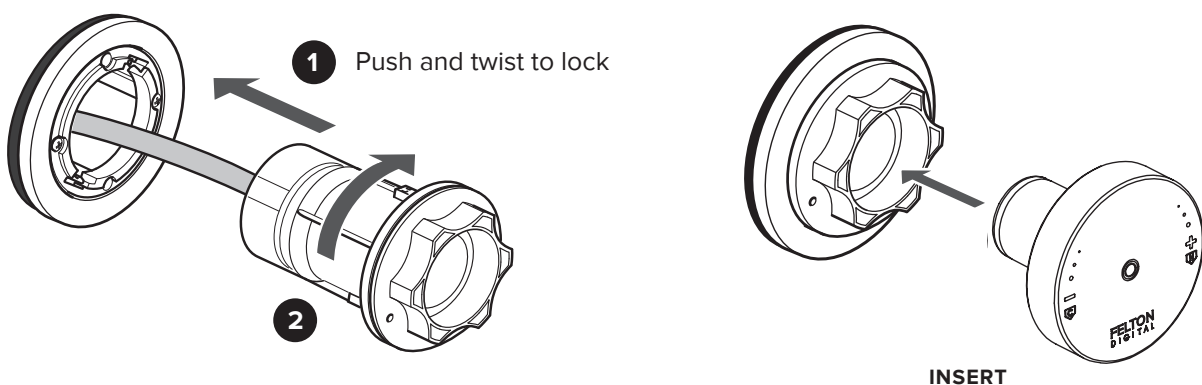


13 Insert white foam seal onto mounting ring

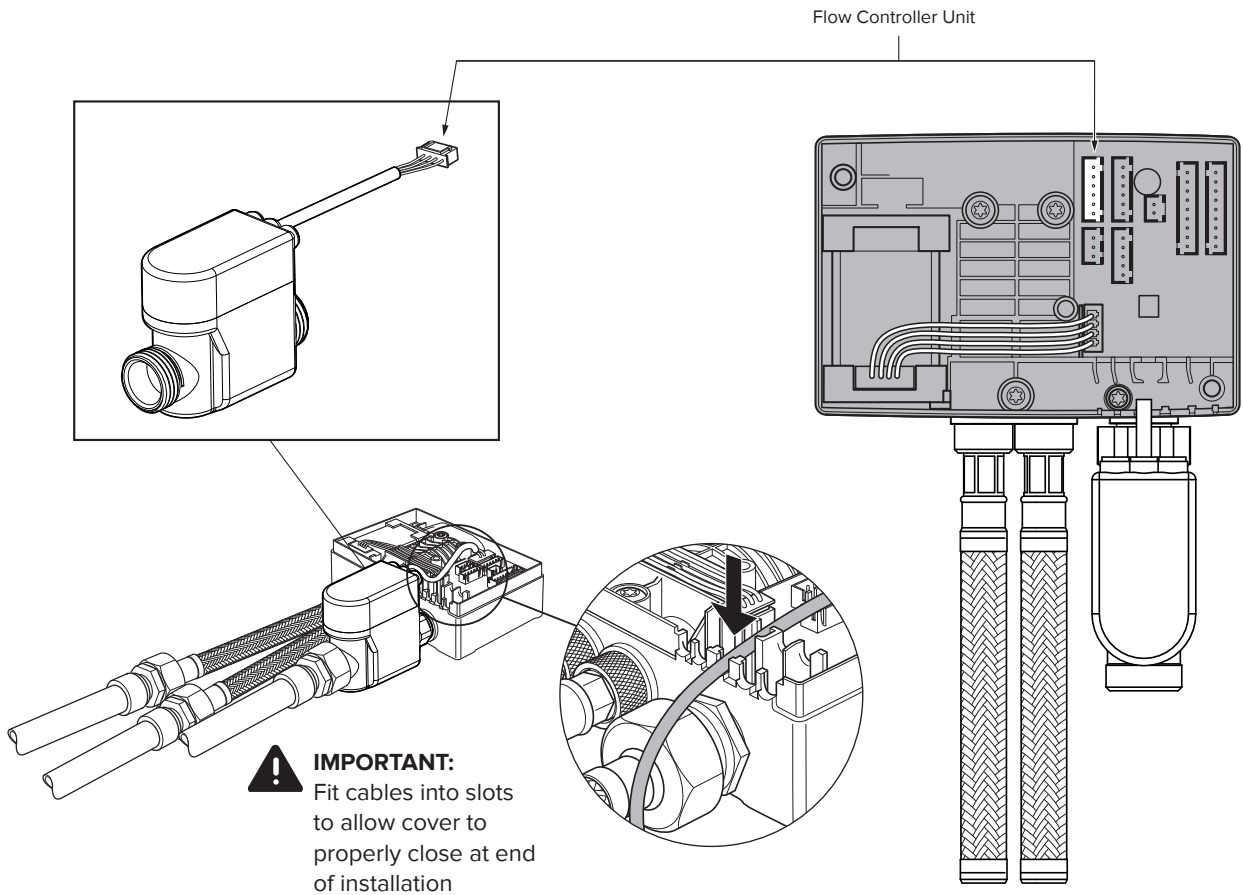


14 Turn Control Housing clockwise to lock in position & re-attach the Control Wheel

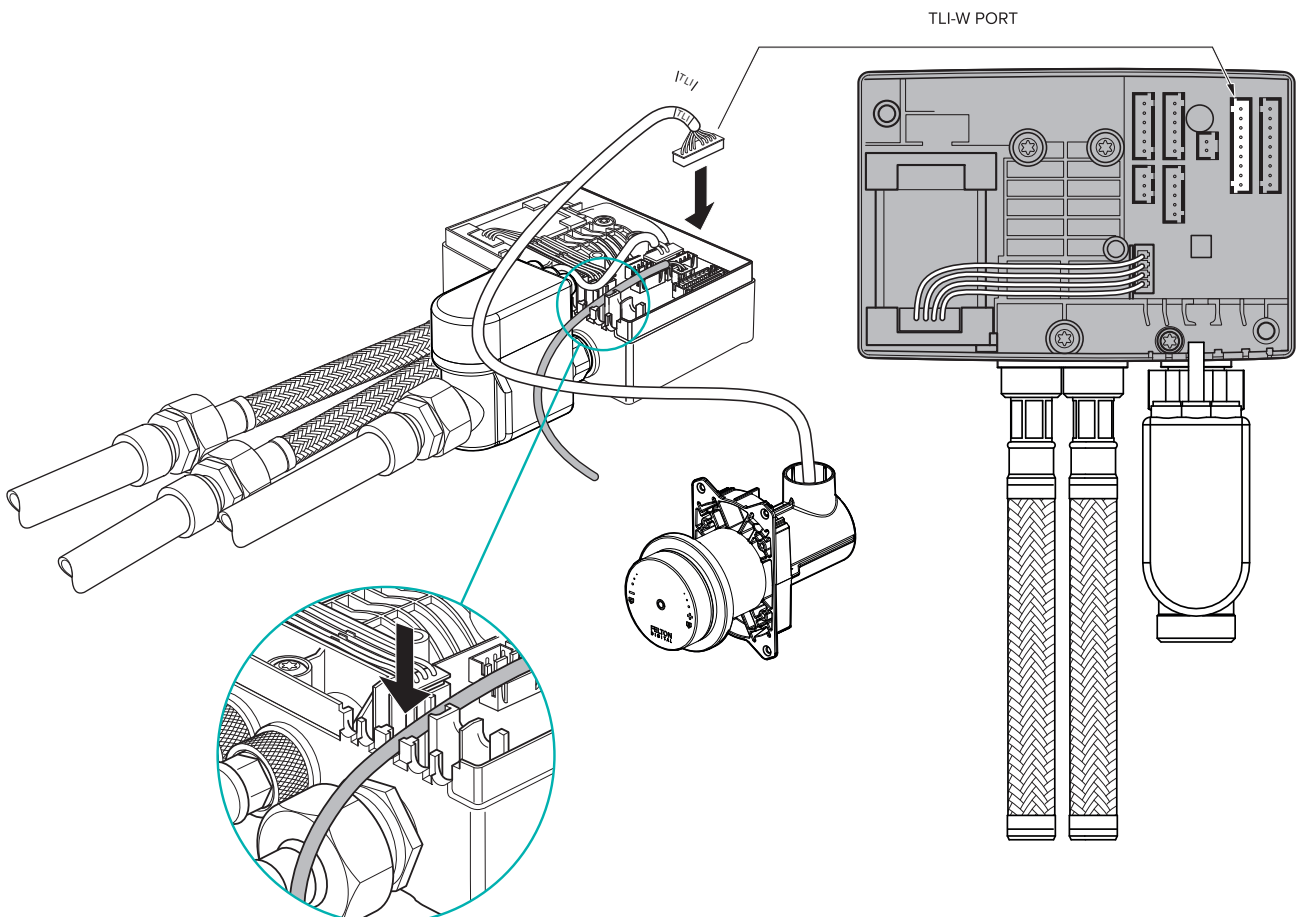
Position the Control Housing into the chrome flange assembly and turn clockwise to lock in position.
Push fit the Control Wheel onto the Control Housing.



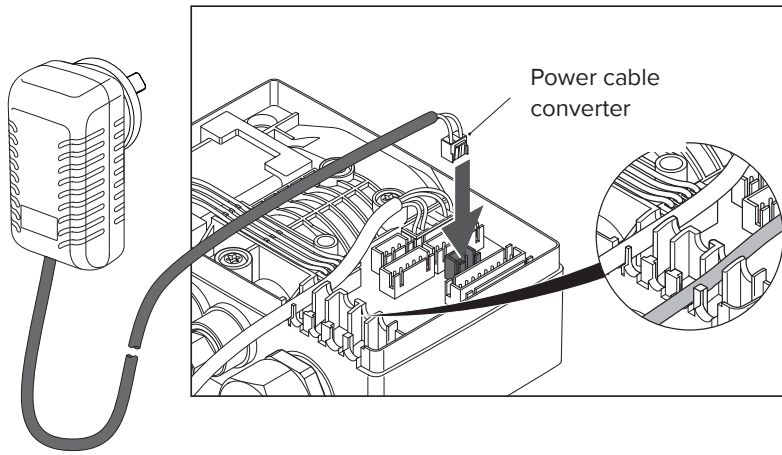
15 Connect the Flow Controller Unit to the Digital Mixer



16 Connect Data Control Cable from Control Wheel assembly to Digital Mixer

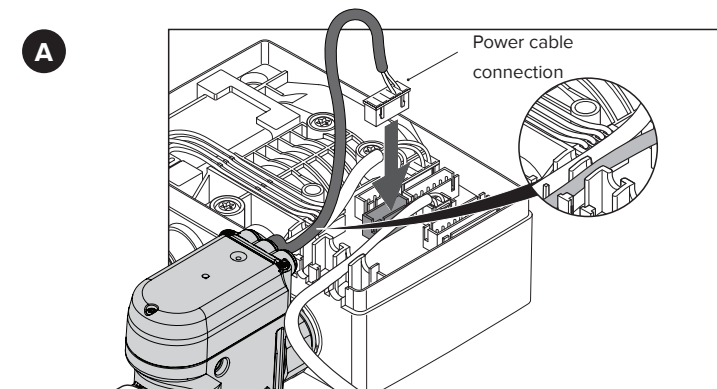


Connect the power cable coming from the transformer. Use the connector and push firmly into the socket. Feed the cable through the guide slot in the front of the Digital Mixer.

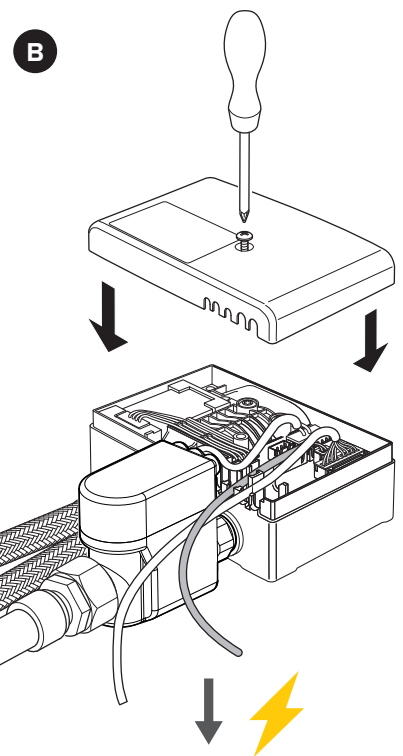


Fit the cover back on to the base using a Phillips screwdriver secure the cover in position. The unit is now ready for commissioning. Please see User Guide.

Digital Mixer with Flow Control Unit installed:



! **IMPORTANT:** Fit cables into slots to allow cover to properly close at end of installation

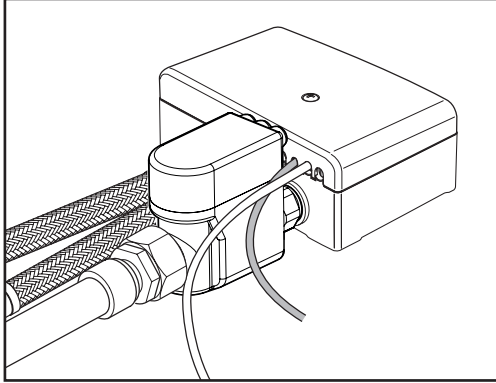


! **IMPORTANT:** Electrical supply must be installed by a qualified electrician (if required).

Please Note: Leave the torx taped to the box for future use

OPERATIONAL TEST

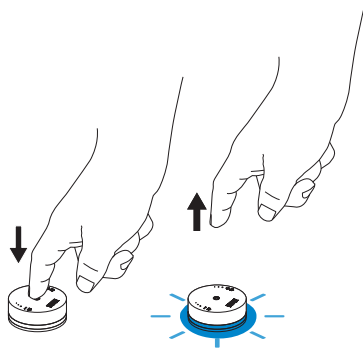
- 1 Ensure that the Digital Mixer is correctly installed according to the instructions above.
Turn on the water supply and check the unit and plumbing for leaks. Once the plumbing is confirmed to be water-tight, connect the power supply and conduct the operational test below.



Digital Mixer with Flow Control Unit installed

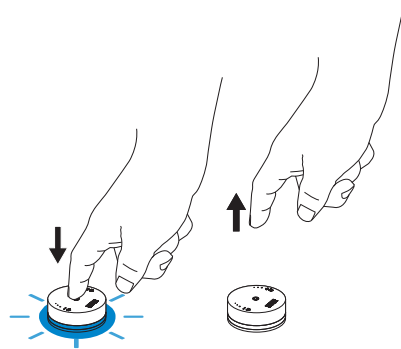
2 Open

Push the **Axiss Smartflow** Interface once.
The Digital Mixer opens and the LED illuminates.



3 Close

Push the **Axiss Smartflow** Interface again.
The Digital Mixer closes and the LED goes off.



TROUBLESHOOTING

ISSUE	PROBLEM	TROUBLESHOOT
The device does not function (i.e. the LED light is not on)	The AC adapter is not connected to the mains	Connect device to the mains power
	Mains power failure	Check household fuse box
	The AC adapter is not connected to the Control Unit	Follow Step 18 on Smartflow Installation Guide
	The digital mixer is not working	Follow Step 16 on Smartflow Installation Guide
The water temperature does not match the indicated display	Hot and cold water connections reversed	Check connections are correct
	Hot or cold water stop valve closed or only half opened	Fully open both stop valves
	Kink in supply hose	Check connection hoses
	Connecting pipe blocked	Flush pipes and clean filter
	No hot water	Check hot water tank and instantaneous connections
	Temperature sensor defect	Carry out function «Diagnostic Test» in User Guide
	Difference in supply pressure between hot and cold water is greater than 100kPa	Balance pressure to eliminate difference
Constant flow of water	Unit will not turn off	Carry out function «Diagnostic Test» in User Guide
The water shuts off before maximum run time has been reached	Flow sensor is defective	Carry out function «Diagnostic Test» in User Guide
The device is working but has no water flow	Motors are not calibrated	Carry out function «Diagnostic Test» in User Guide
	Stop valves closed	Open stop valves fully
	No water supply	Restore water supply
	Kink in supply hose	Check connection hoses
Interface flashes green	Cleaning mode active	Wait 45 seconds or press the digital mixer to cancel
The Digital Control Unit is damp or wet	Inlet and outlets of the digital mixer are not properly sealed	Inspect all connections, reseal if necessary
The Control Unit does not respond to temperature and flow adjustment*	The interface elements are connected incorrectly	Follow Steps 15 & 16 on Installation Guide
	The interface is defective	Carry out function «Diagnostic Test» in User Guide
	The knob is not running smoothly	Remove and clean knob

If issue persists or is not covered in the above, please contact our Felton Technical Team on 0800 743 358 or sales@felton.co.nz

WARRANTY

5 year warranty applies to all **Felton** branded products including the electronic hardware and its components. Where products are promoted as having a “5 year warranty”, Felton Industries Limited guarantees the electronic components of these products (excluding batteries) to be free from defects in materials and workmanship under normal installation, use and service for a period of five (5) years from the date of purchase. Fair wear and tear is expressly excluded.

This warranty is effective for five (5) years from the date of purchase and covers electronic replacement parts only (excluding batteries) and 2 years from the date of purchase for plumber’s labour relating solely to repairing or replacing the Hardware, provided the product is installed by a registered plumber. You must retain proof of purchase of the Hardware (such as an invoice or receipt) and proof of installation by a registered plumber and provide these to Felton on request.

This warranty is for manufacturing defects only and does not cover any damage to product due to abuse, negligence or improper installation. This warranty is given on the understanding that the product is installed by a registered plumber and operated according to Felton’s installation guide and the Australian/New Zealand standard AS/NZS3500. This warranty is provided to persons who are a “consumer” under the Consumer Guarantees Act 1993 only and for use in domestic/residential dwellings only (not for commercial use).

This warranty is subject to any other rights or remedies that you may have under the Consumer Guarantees Act 1993 (or any other applicable legislation) and to Felton’s Terms of Trade.

This **5 year warranty** does not cover:

- 1) any consumable items (e.g. batteries, filters, installation fittings) supplied with the products.
- 2) damage, problems or unsatisfactory performance caused to the electronic hardware by:
 - a. Faulty or incorrect electrical wiring, incorrect power supply, voltage fluctuations, over voltage transient spikes or electromagnetic interference not originating within the electronic hardware.
 - b. Incorrect or poor installation or application
 - c. Operation at conditions outside the operating conditions specified in the Felton technical or sales data applicable to that electronic hardware.
 - d. Reconfiguration of the digital interface by the user – this is considered a service not a warranty.

MAINTENANCE & CARE

Please see User Guide or visit www.felton.co.nz

For technical assistance please ring: 0800 743 358 or (09) 528 0810



FELTON INDUSTRIES LTD

8 Farmhouse Lane St Johns Auckland 1072
sales@felton.co.nz | Find us on Social Media



@feltontapware



/feltonltd



/FeltonIndustriesLimited



@feltonltd



/felton-industries-limited