

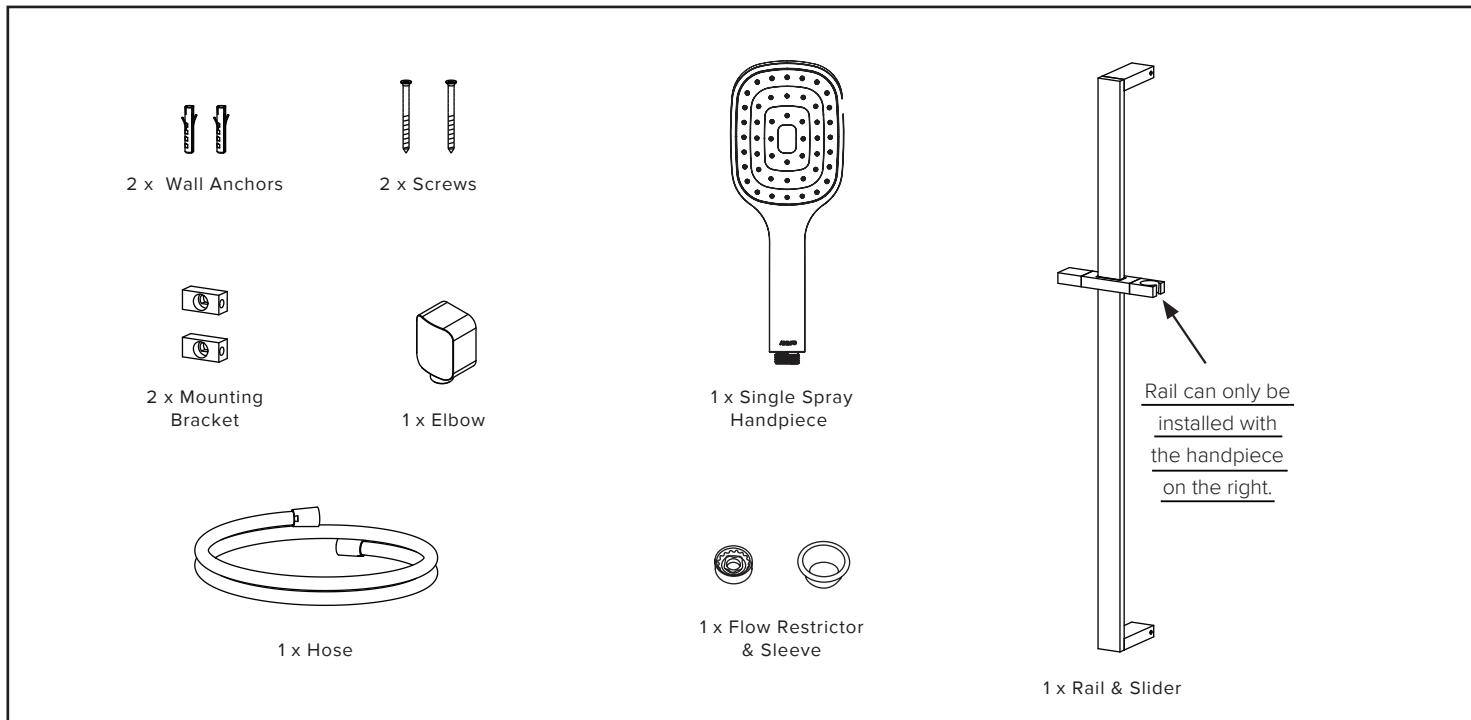


INSTALLATION GUIDE

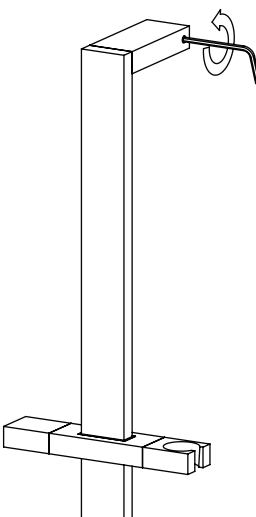
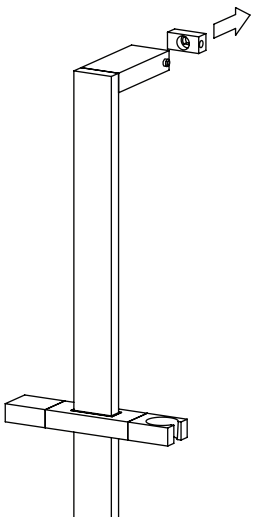
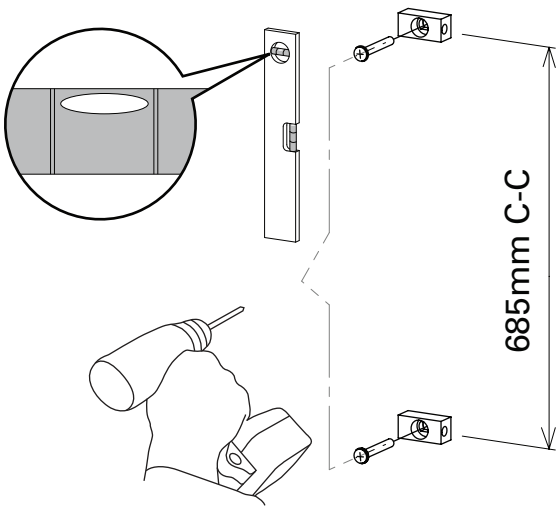
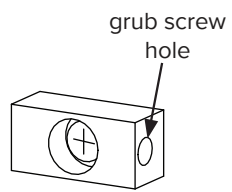
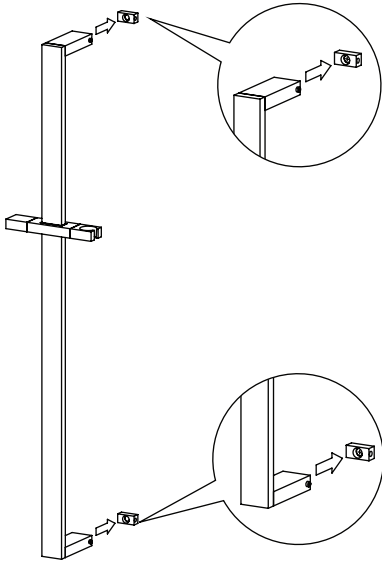
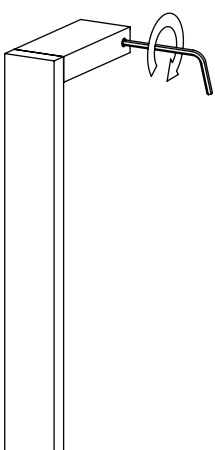
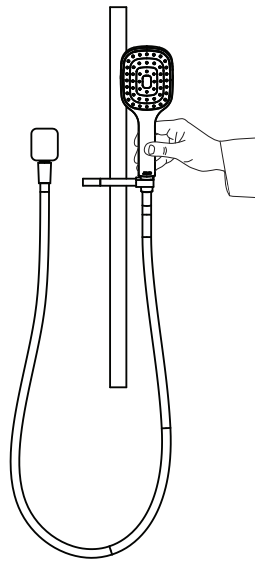
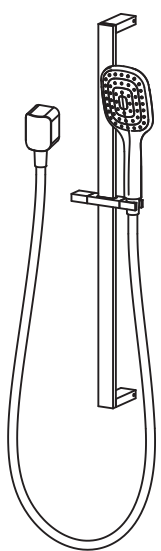
ADESSE

MILA II SINGLE SPRAY SLIDE SHOWER DSHSKCSR2

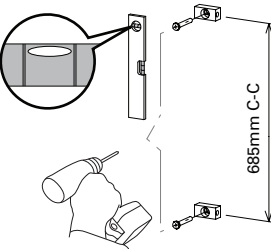
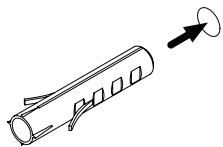
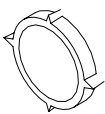
WHAT IS IN THE PACK



INSTALLING INTO STUD/NOG...(RECOMMENDED)

			
<p>1. Untighten the grub screw from the rail with an allen key.</p>	<p>2. Remove the brackets from the rail.</p>	<p>3. Mount the brackets into position (685 Centre - Centre).</p>	<p>4. It is essential that the mounting brackets are installed with the grub screw hole facing the right as shown.</p>
			
<p>5. Mount the rail onto the brackets in place. Ensure that both rail and bracket are secured.</p> <p>It is recommended that silicone sealant be used to seal the fixing brackets.</p>	<p>8. Tighten the grub screw on rail with an allen key.</p>	<p>9. Screw the elbow into the water outlet (wingback). Sealant required on thread to achieve a water tight seal. For Mains Pressure, fit flow restrictor into the handpiece first. Screw the hose onto the elbow and handpiece and attach the handpiece to the slider on the rail.</p>	

INSTALLING INTO CONCRETE/BRICK WALL...

<p>Pre-drill holes to 685 Centre - Centre and fit the wall anchors then follow the above instruction.</p>			
---	---	--	---