

INSTALLATION GUIDE

Mila Bath Spout (DBSC)

System Requirements

To ensure the optimum performance and customer satisfaction please adhere to the following:

- Flush out all pipework prior to installation.
- Maximum hot water temperature: 60°C. If the water temperature exceeds 60°C an approved tempering valve must be fitted.
- Installation should comply with relevant local authority requirements.

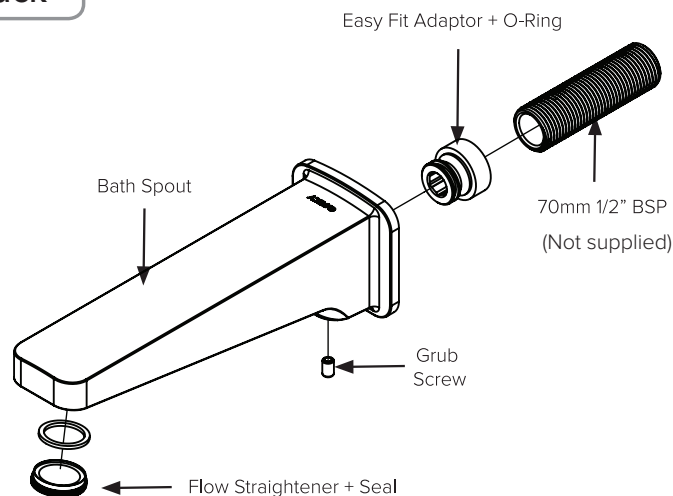
MAXIMUM STATIC PRESSURE

Maximum static pressure 1,500kPa. If the water pressure exceeds or is likely to exceed 1,500kPa, an approved pressure limiting valve must be fitted.

MINIMUM STATIC PRESSURE

	HOT	COLD
Mains Pressure	150kPa	150kPa
Unequal Pressure	36kPa	150kPa
Equal Low Pressure	36kPa	36kPa

Contents of Pack



How To Install

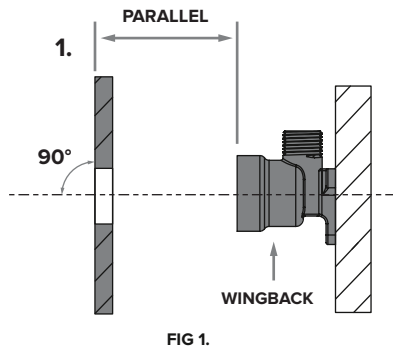


FIG 1.

1. Ensure the wingback when fitted is parallel and square to the finished wall lining as shown (fig 1).
2. Measure and cut 1/2" BSP thread to the desired length (use fig 2 as reference).

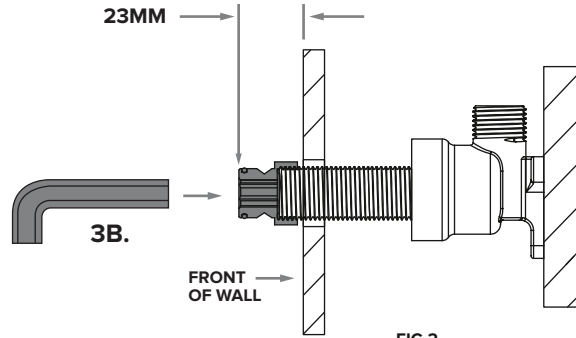


FIG 2.

- 3A. After applying the appropriate sealer to the thread hand tighten Easy Fit Adaptor and thread together into the wingback.
- 3B. Using a 12mm allen key, tighten the adaptor ensuring that the front face of the adaptor is **23mm** from the finished wall lining as shown (fig 2).

- 4A. Fit bath spout onto Easy Fit Adaptor.
- 4B. Tighten grub screw when aligned.
5. Turn on water supply and check for leaks.

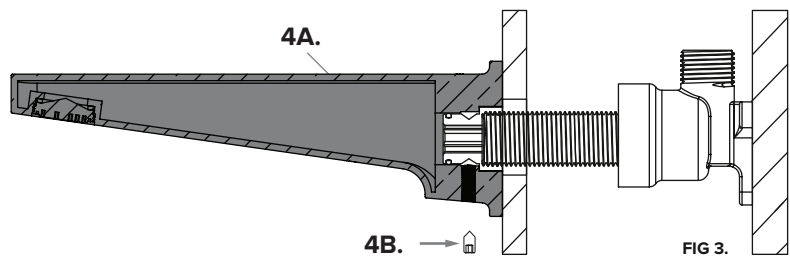


FIG 3.